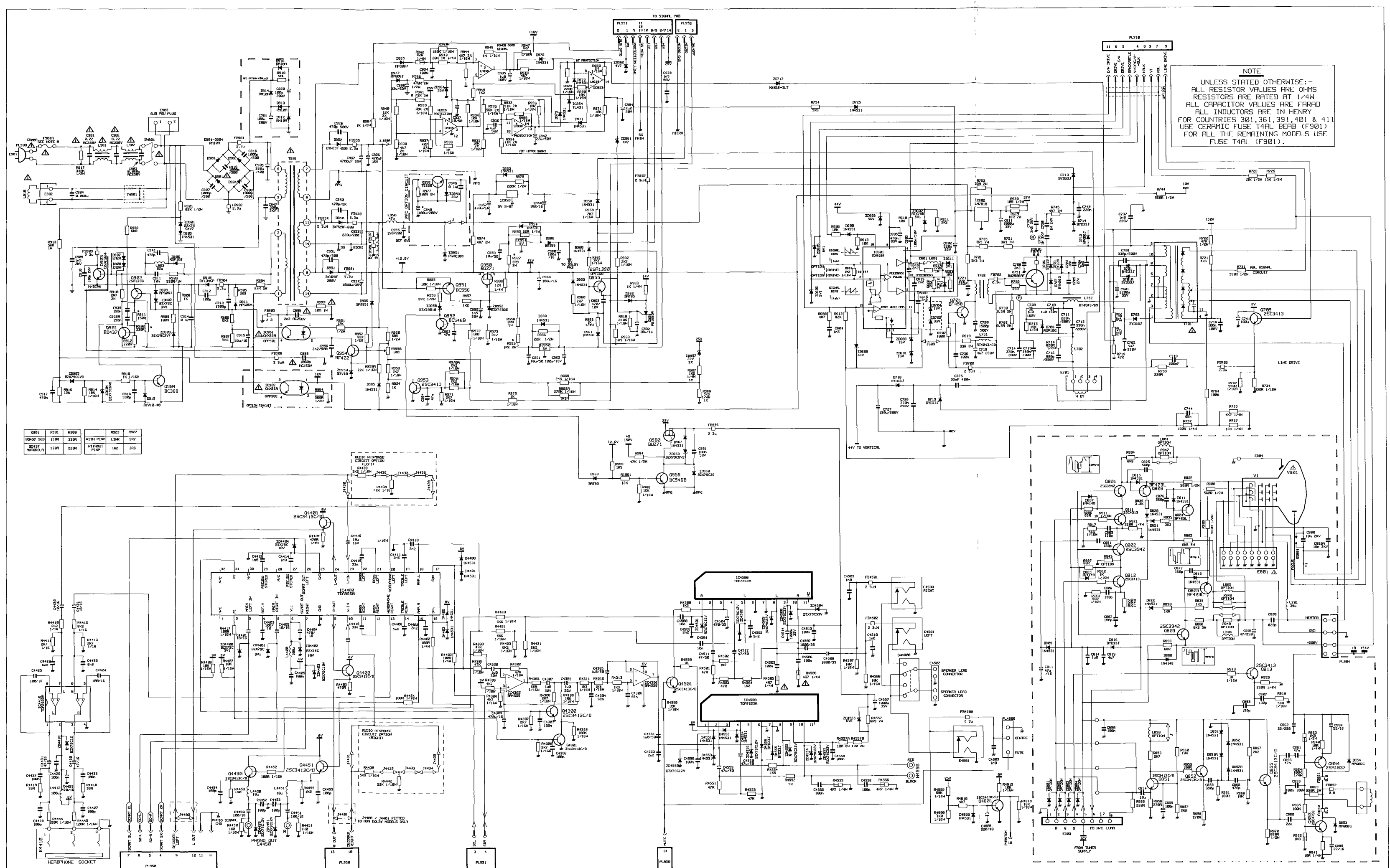


NOTE FOR PCB LAYOUT, SUB PSU HAS OPTION CIRCUIT FOR TRANSISTOR SWITCH AND BRIDGE DRIVER PROTECTION. CIRCUIT VALUES NOT FITTED FOR MOSFET SWITCH.

NOTE. DOTTED OUTLINES INDICATE OPTION CIRCUITS.

DOLBY SUB POWER PWB  
 SOUS-CCI DE PUISSANCE DOLBY  
 DOLBY-UNTERPLATINE

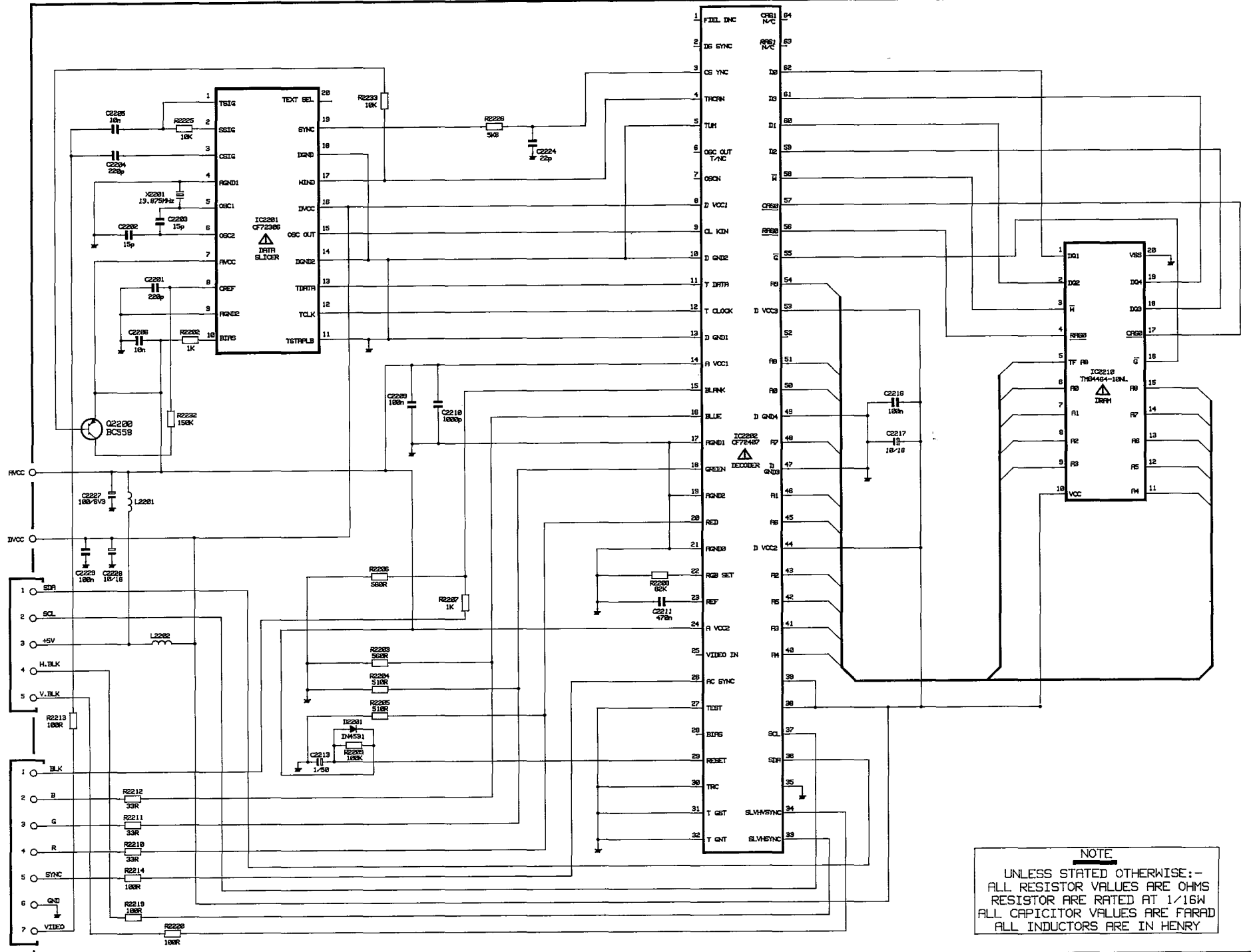


**NOTE**  
 UNLESS STATED OTHERWISE:-  
 ALL RESISTOR VALUES ARE OHMS  
 ALL CAPACITOR VALUES ARE FARAD  
 ALL INDUCTORS ARE IN HENRY  
 FOR COUNTRIES 301, 361, 391, 401 & 411  
 USE CERAMIC FUSE T4AL BEAR (F901)  
 FOR ALL THE REMAINING MODELS USE  
 FUSE T4AL (F901).

R81	R81	R80	R83	R87
BQ47	50K	15K	33K	2K7
BQ47	33K	22K	WITH PINF	LINK
707000A	33K	22K	WITHOUT	2K7
			PINF	3K5

C2977/76TN CL/CP2976TA/TAN CL/CP2975TAN C252976TA POWER DEFLECTION  
 DEVIATION DE PUISSANCE C2977/76TN CL/CP2976TA/TAN CL/CP2975TAN C252976TA  
 C2977/76TN CL/CP2976TA/TAN CL/CP2975TAN C252976TA STROMVERSORGUNG ABLENKSTUFE

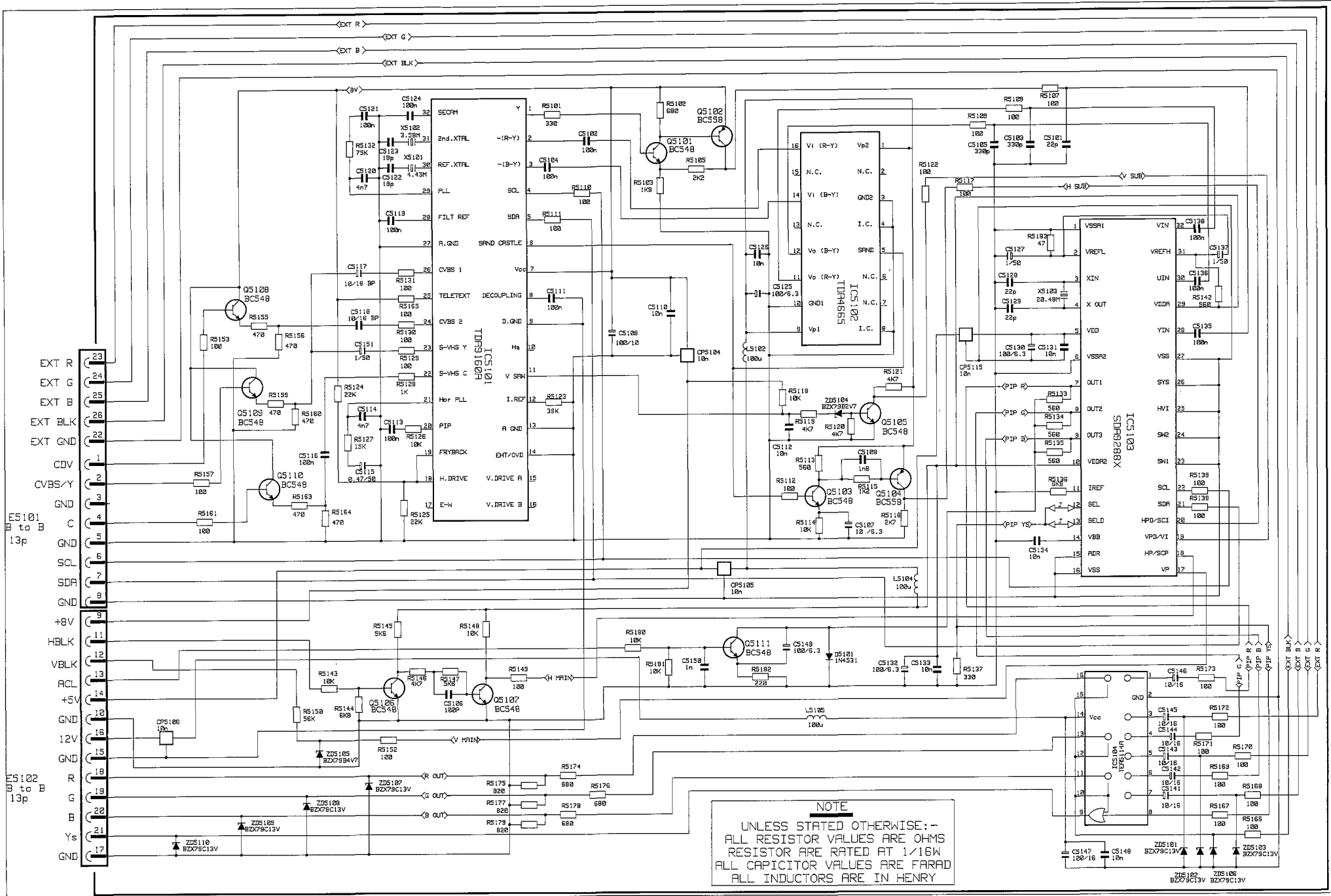
TELETEXT CIRCUIT DIAGRAM  
 DIAGRAMME DE CIRCUIT TELETEXTE  
 TELETEXT SCHALTPLAN



**NOTE**  
 UNLESS STATED OTHERWISE:-  
 ALL RESISTOR VALUES ARE OHMS  
 RESISTOR ARE RATED AT 1/16W  
 ALL CAPACITOR VALUES ARE FARAD  
 ALL INDUCTORS ARE IN HENRY

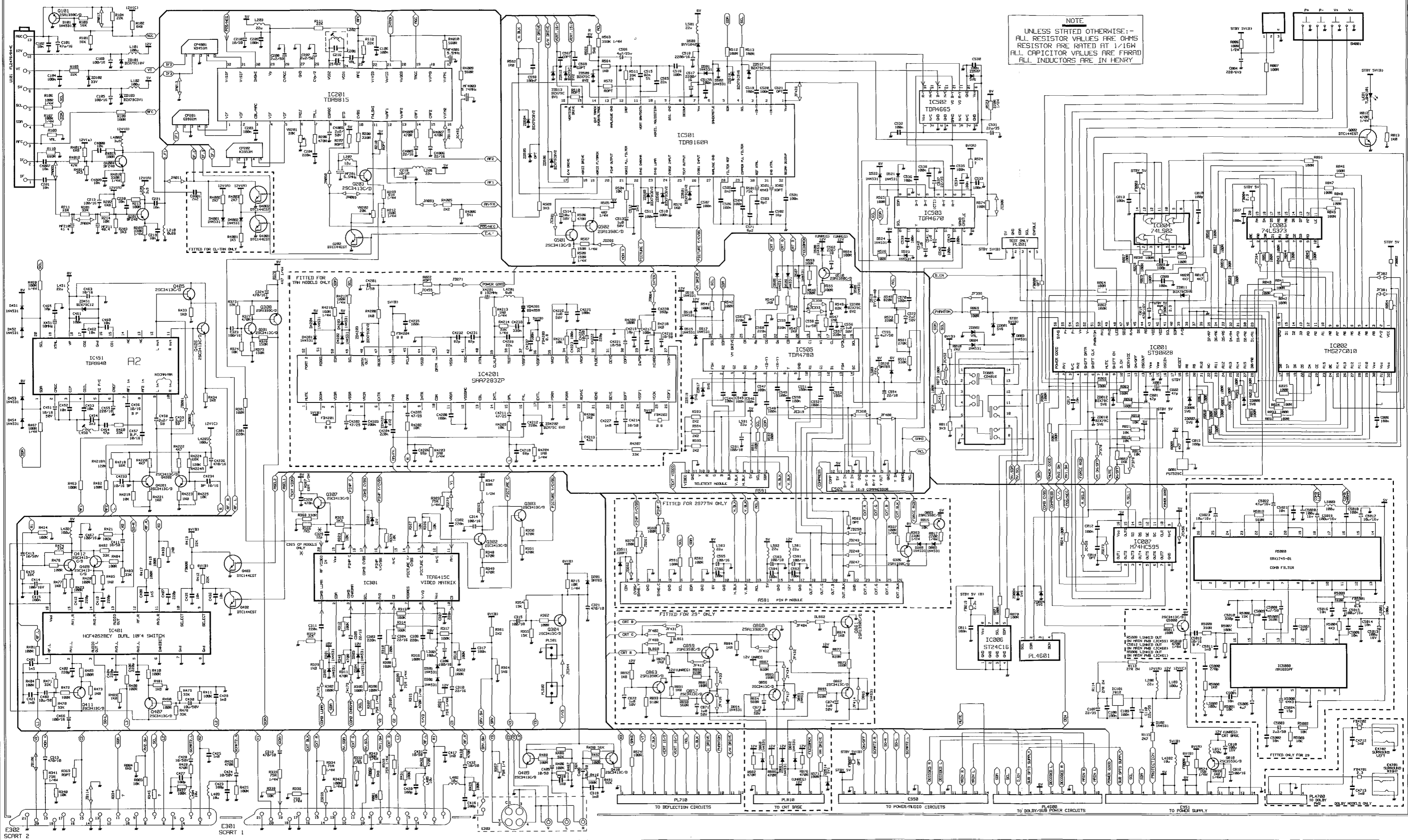
**PICTURE IN PICTURE CIRCUIT DIAGRAM**  
**DIAGRAMME DE CIRCUIT IMAGE DANS L'IMAGE**  
**BILD-IM-BILD-SCHALTPLAN**

192



**NOTE**  
 UNLESS STATED OTHERWISE: -  
 ALL RESISTOR VALUES ARE OHMS  
 RESISTOR ARE RATED AT 1/16W  
 ALL CAPACITOR VALUES ARE FARAD  
 ALL INDUCTORS ARE IN HENRY

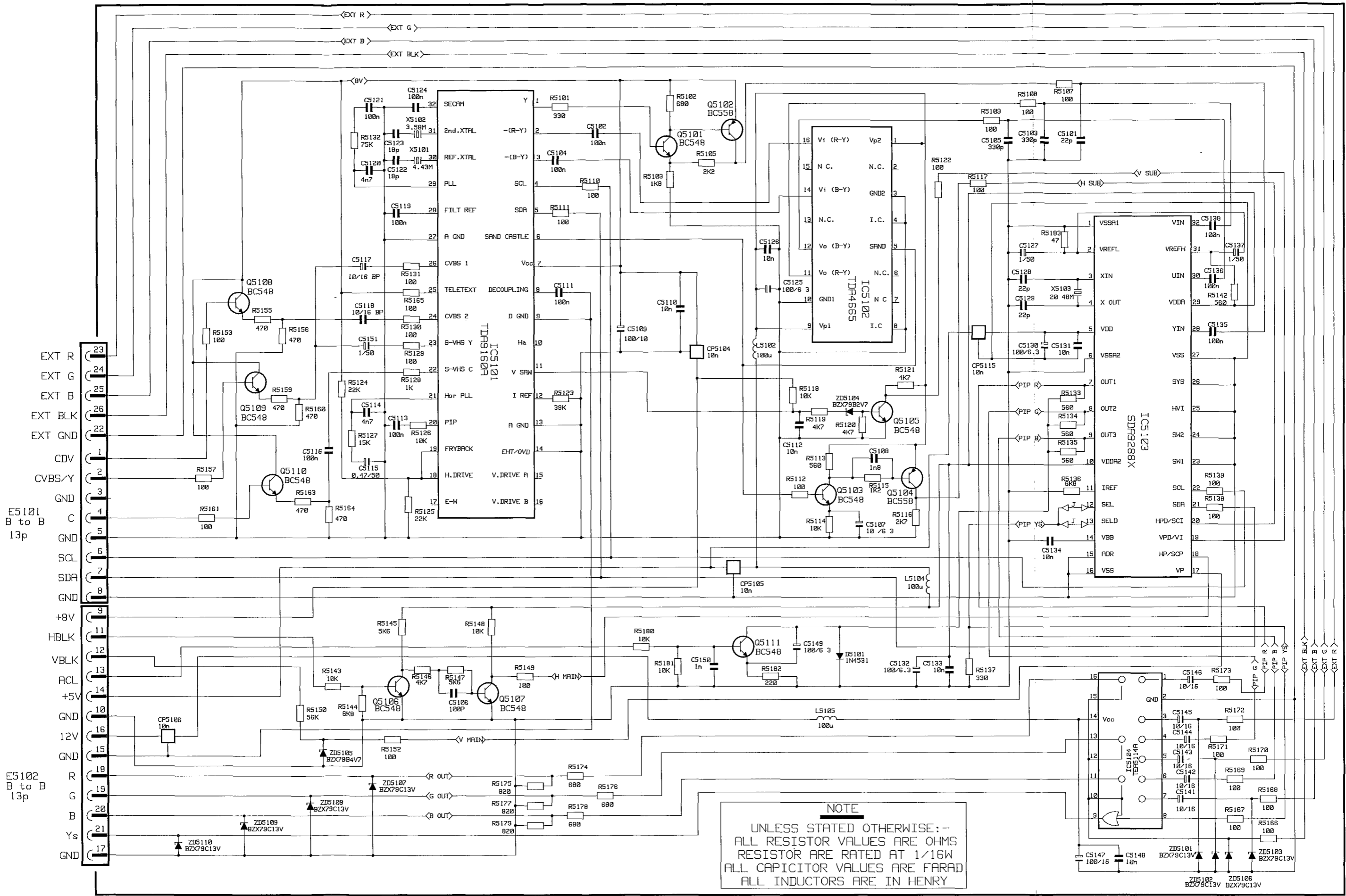




NOTE  
UNLESS STATED OTHERWISE:-  
ALL RESISTOR VALUES ARE OHMS  
RESISTOR ARE RATED AT 1/16W  
ALL CAPACITOR VALUES ARE FARAD  
ALL INDUCTORS ARE IN HENRY

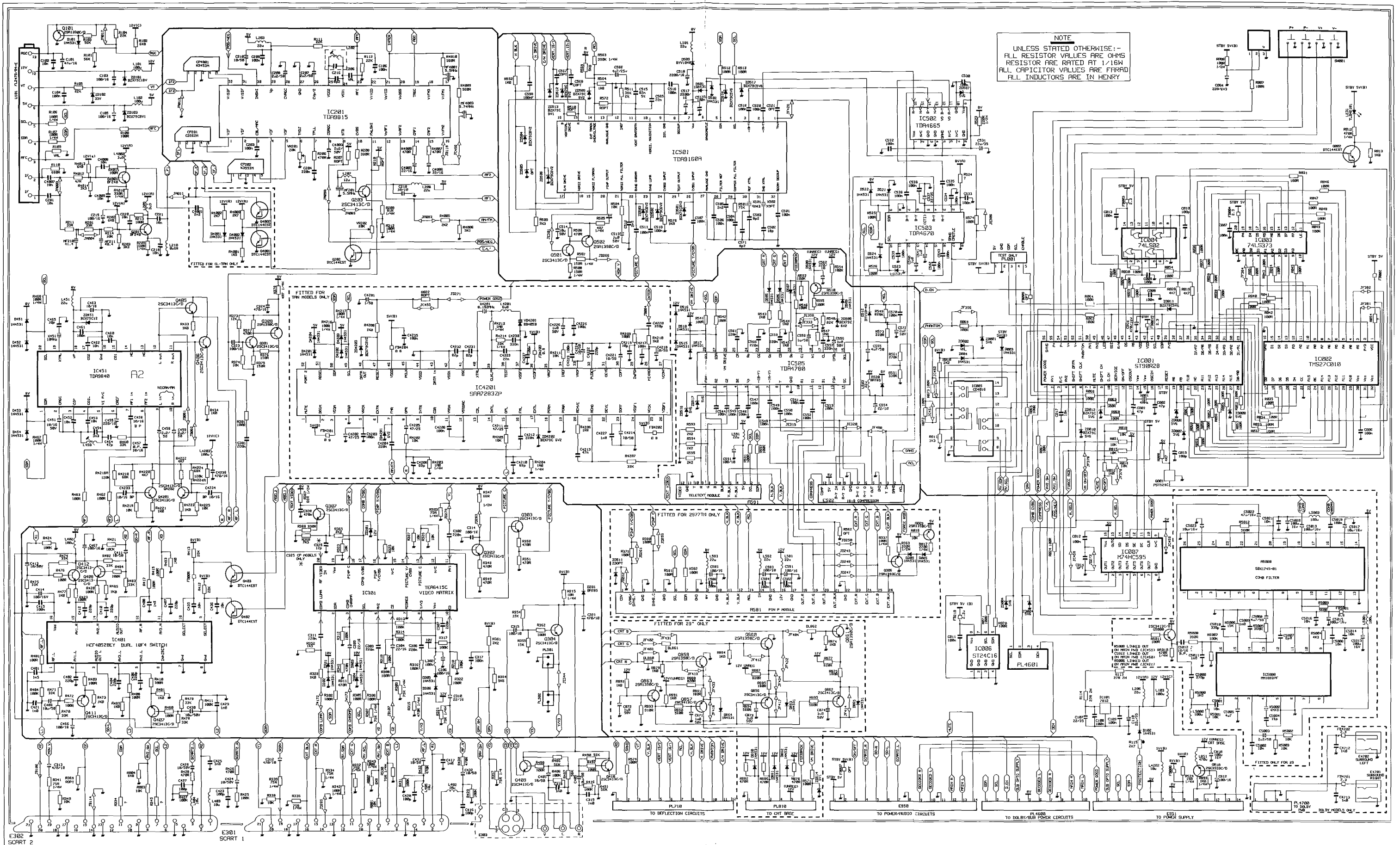
E302 SCART 2      E301 SCART 1      E303

C2576/77TN-311 CP2576TAN-301/351 CP2576TAN-331/381 SIGNAL PWB  
CCI C2576/77TN-311 CP2576TAN-301/351 CP2576TAN-331/381 SIGNAUX  
C2576/77TN-311 CP2576TAN-301/351 CP2576TAN-331/381 SIGNALSCHALTKREIS



C2576TN-311 C2577TN-311 C2976TN-311 C2977TN-311 SIGNAL CIRCUIT  
 CIRCUIT DE SIGNAUX C2576TN-311 C2577TN-311 C2976TN-311 C2977TN-311  
 C2576TN-311 C2577TN-311 C2976TN-311 C2977TN-311 SIGNALSCHALTKEIS

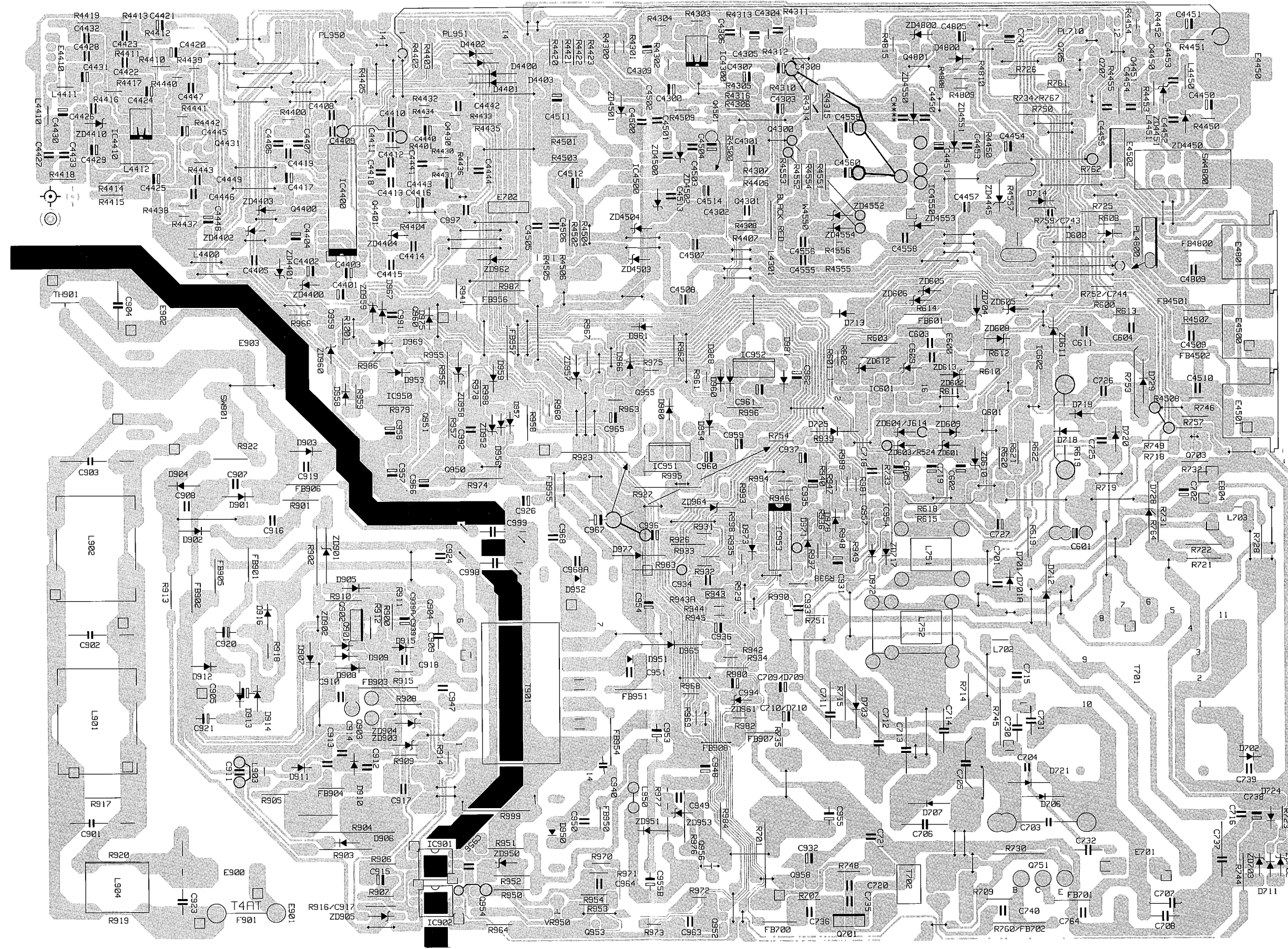




NOTE  
 UNLESS STATED OTHERWISE: -  
 ALL RESISTOR VALUES ARE OHMS  
 RESISTOR ARE RATED AT 1/16W  
 ALL CAPACITOR VALUES ARE FARAD  
 ALL INDUCTORS ARE IN HENRY

CL/CP 25/2976TAN 2976TA 2975TAN 2976TA SIGNAL CIRCUIT  
 CIRCUIT DE SIGNAUX CL/CP 25/2976TAN 2976TA 2975TAN 2976TA  
 CL/CP 25/2976TAN 2976TA 2975TAN 2976TA SIGNALSCHALTKEIS

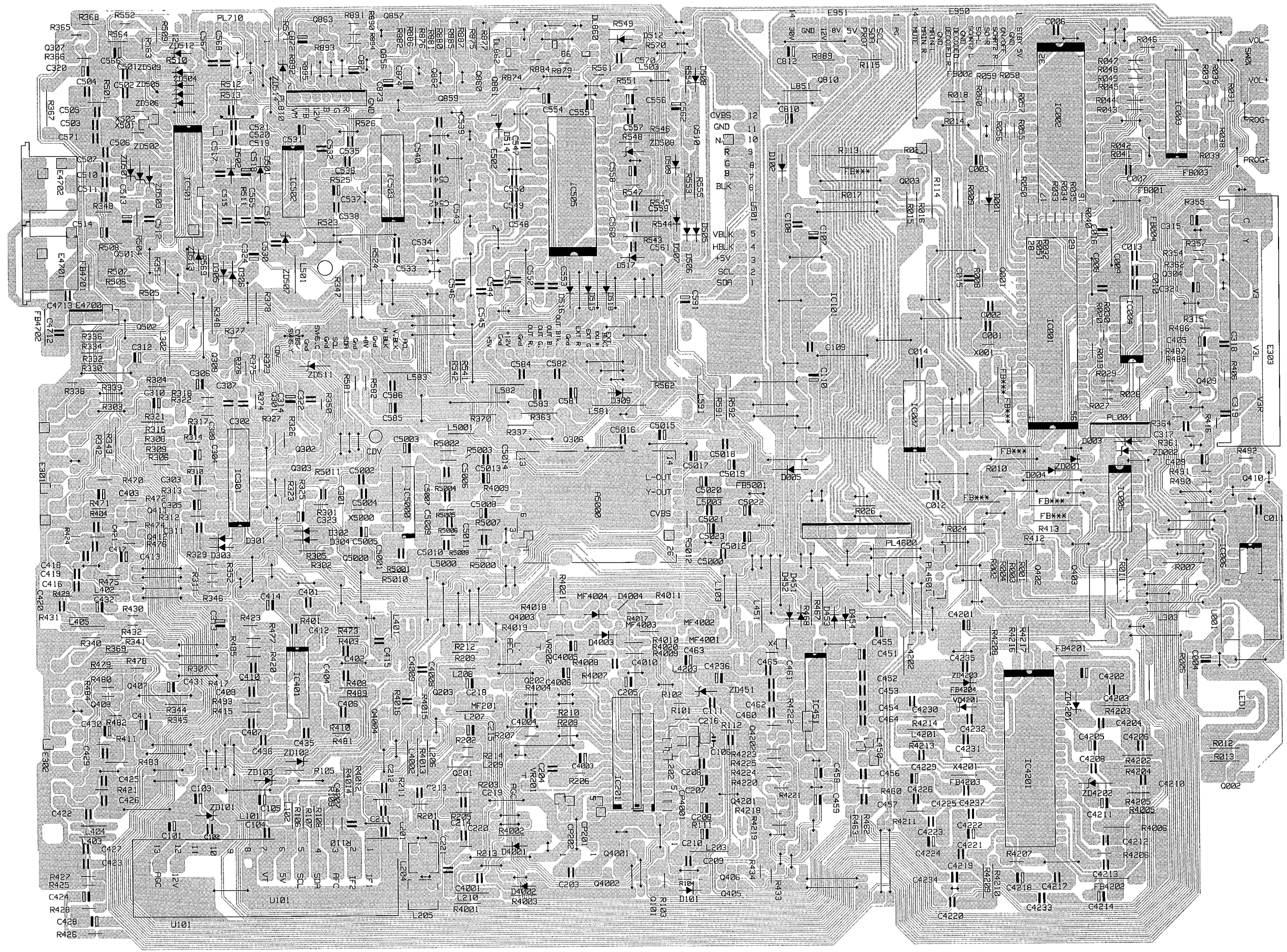




E6543001C POWER DEFLECTION P.C.B.  
DEVIATION DE PUISSANCE CCI E6543001C  
E6543001C STROMVERSORGUNG ABLENKSTUFE



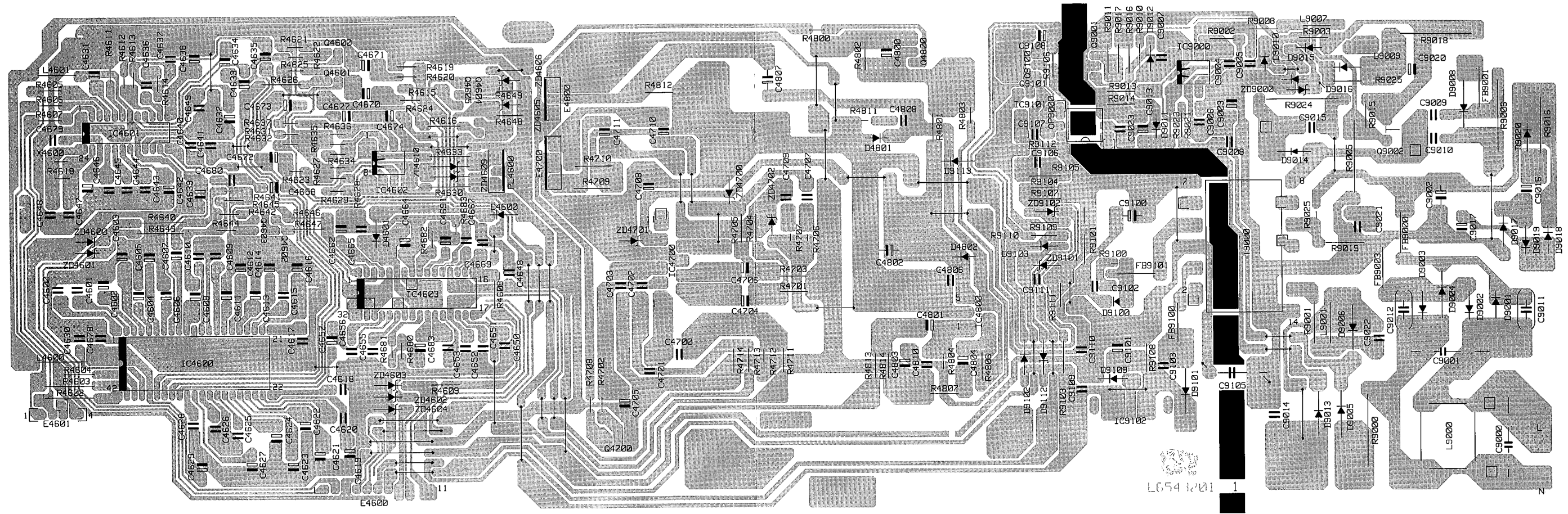




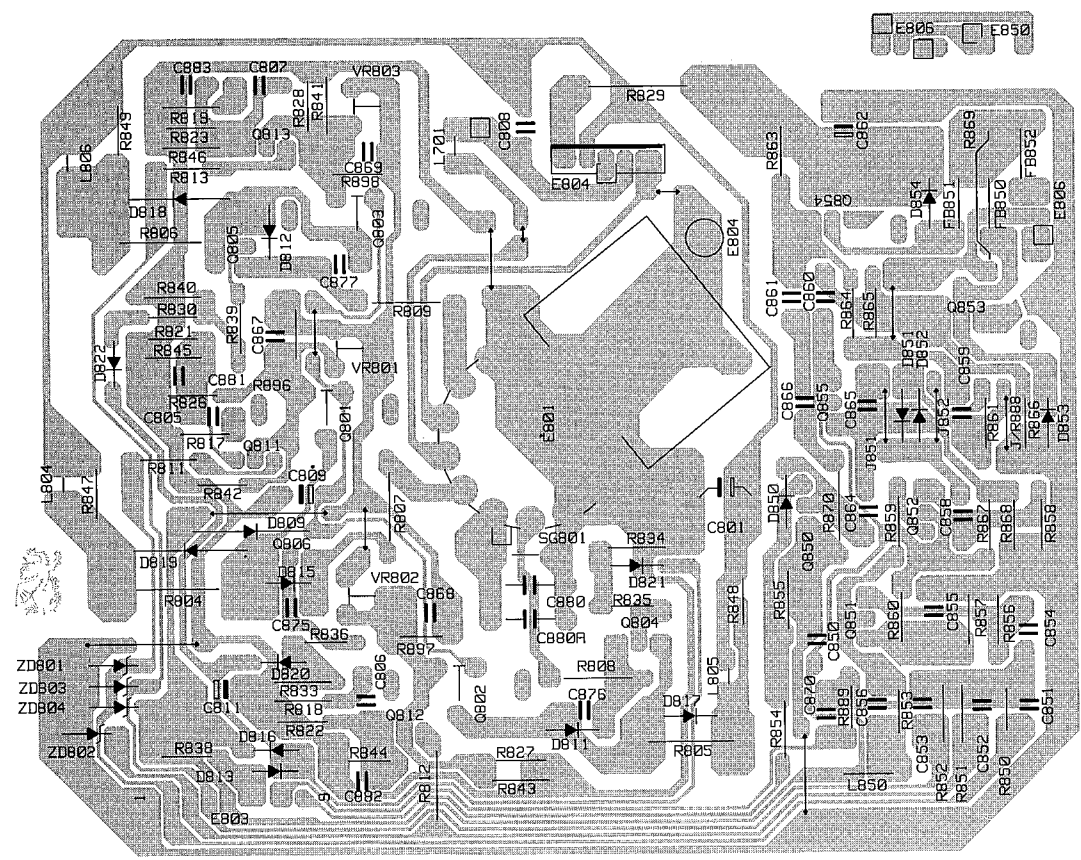
E6543201 SIGNAL P.C.B.  
 SIGNAL CCI E6543201  
 E6543201 SIGNALSCHALTKEIS



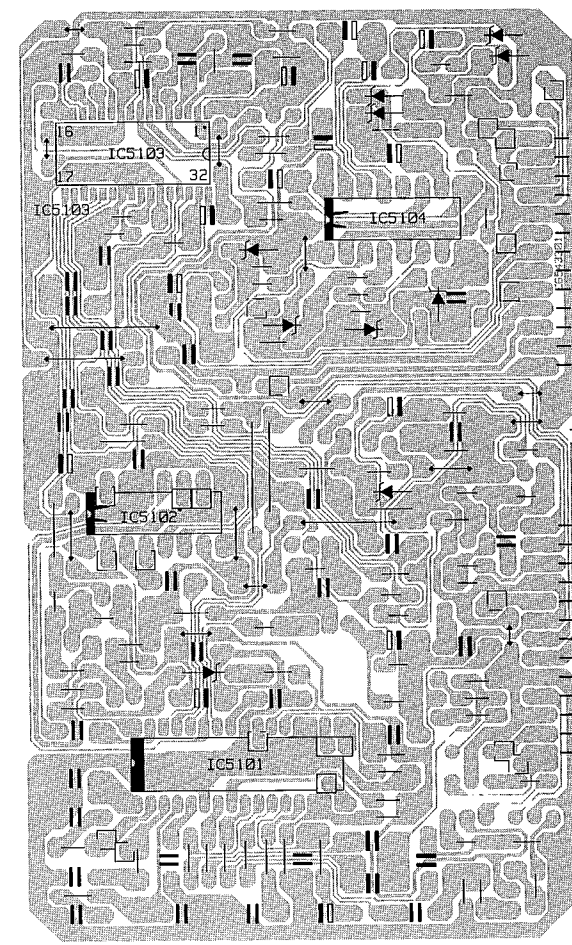




E6543201 DOLBY SUB POWER PWB  
 SOUS-CCI DE PUISSANCE DOLBY E6543201  
 E6543201 DOLBY-UNTERPLATINE



E6543433 CRT PWB  
 CCI CRT E6543433  
 E6543433 CRT PWB



E6543401 PICTURE IN PICTURE PWB  
 CCI IMAGE DANS L'IMAGE E6543401  
 E6543401 BILD-IM-BILD SCHALTKEIS PWB



**SUPPLEMENT FOR  
C28300TN  
CHASSIS**

### MAIN POWER SUPPLY:

From switch on the A.C. voltage is rectified by D901 - D904, and produces approximately 300v at C905. This is then applied to the collector of Q903 via the primary winding of T901. The voltage at pin 7 of IC900 will rise to approximately 16v via R901 and D905. This allows the internal circuitry of IC900 to create a sawtooth waveform, from which a squarewave output is obtained at pin 6. Q906 is used to lower the dissipation of R901 once the primary is running.

This output from pin 6 causes the F.E.T. Q901 to turn on and off, and so emitter switching of Q903 takes place, producing output in the secondary windings of T901.

After initial start-up, the operation is maintained by the feedback from the bias winding of T901. This is fed via FB905 and D911 to pin 7 of IC900.

ZD910 and ZD903 are protecting diodes, and prevent the voltage levels from rising to a point where damage could occur to IC900 and Q901. A current sense circuit exists at pin 3 of IC900, and this is used to monitor primary current. A voltage at pin 3 is compared to an internal reference voltage of approximately 0.8v, and should the voltage at pin 3 rise above this, the pulse width output from pin 6 is limited. In this way Q903 is offered protection from changes in the primary current.

VR923 is used to set this level. With all controls set to max. (picture and sound), the voltage at pin 3 can be adjusted to a level just below power limit (approx. 0.8V).

R909 and C914 act as a soft start circuit. This circuit limits the duty cycle from pin 6 during the initial start up period, thus allowing a gradual rise to full pulse width.

Overvoltage in the primary winding is sensed by the bias winding. This rise is fed via D910 to pin 2 of IC900. If this voltage rises above the internal reference voltage, the output from pin 6 will be limited by the internal error amp, therefore clamping the secondary voltage to a safe level.

The secondary voltage induced in T901 winding 11/14 is rectified by D950, producing the H.T. voltage of 150v, which is smoothed by C953. This voltage is reduced to 135v during the standby condition. Winding 9/14 produces approximately 12.5v via D951, which is smoothed by C954. This is then applied to IC950 and Q950. IC950 produces the +5v supply which ensures that the micro processor remains operational whilst the T.V. is in its standby mode. Q950 is a mosfet switch, which produces the +12v chassis supply, and the header voltage for IC951/IC952. These produce the +5v and +8v supplies required for this T.V.

Winding 7/8 produces approximately +25v via D952, which is smoothed by C967 and applied to Q960. This provides the audio output stages of IC4500/IC4550 with the required +25v. H.T. regulation is controlled by Q954 stage. The base of Q954 is set to a pre-determined level by the resistor network of R950, VR950 and R953. During normal operation, R954 is effectively out of circuit due to Q953 being turned on.

The emitter of Q954 is held at approximately 6v2 by ZD950. Should the H.T. level rise, the base voltage becomes more positive than the emitter, and this difference is amplified by the transistor and applied to opto-coupler IC901. The output produced from IC901 is applied to the transistor network Q901/Q902. This network governs the on time of Q903, thereby controlling the H.T. level and hence maintaining H.T. regulation.

ZD951 is added to the H.T. rail after the filter L950. This zener offers protection to the H.T. circuits should the H.T. level rise excessively. Q955 offers protection from the low voltage supplies of +5v, +12v and +27v etc.

Should one of these supplies become short circuit, the base of Q955 will be pulled low via the relevant diode/resistor network, for the +12v supply this will be D959/R960, and for the +5v it will be D961/R962. The low will then cause Q955 to turn on, applying a voltage to the gate of thyristor Q958, which then turns on and effectively removes the drive to Q952.

As a result, Q951 turns off, effectively removing the +12v, +8v and +5v supplies, thereby placing the T.V. into standby lockup mode. **N.B.** Once the fault is cleared, the T.V. must be switched off using the ON/OFF switch in order for the micro processor to reset and clear the standby lockup mode. When the standby command is transmitted from the remote control handset, pin 12 of IC001 becomes "Low". This is then applied to the base of Q952 via R975 and R972, turning the transistor off.

As a result, Q951 becomes non operational, removing the +12v, +5v and +8v supplies. Consequently, the deflection stages of IC501 are shut down, and E.H.T. generation will cease until the standby command is removed.

Also, when Q952 is turned off, D969 ceases to conduct, and a voltage is then applied to the base of Q959 via R996, turning the transistor on. Q960 will then turn off, thereby removing the +25v supply from the audio output stages, and ensuring that no noise is generated during the standby condition.

Also, when in standby, the drive to Q953 is removed, turning the transistor off. R954 is then added to the potential divider network at the base of Q954, changing the drive to the opto-coupler IC901. The overall result is to reduce the +B voltage.

When in standby, the switching frequency is lowered to reduce input power. This is achieved by switching in C917. The supply voltage to IC900 is monitored by ZD904/Q908. As the voltage falls in standby, C917 is turned on so increasing the capacitance seen by pin 4 IC900. The switching frequency is reduced.

IC953 basically consists of 4 comparator stages.

Comparator 2 monitors the peak output voltage of the 12.5v winding at pin 9 of T901. This pin mirrors the a.c. input level, so a mains interruption can be detected before the low voltage supplies go out of regulation.

Should an interruption occur, the voltage supplied to pin 7 of comparator 2 will fall below the reference voltage at pin 6. Pin 1 (Power good line) is then pulled low, and this low is fed to pin 1 of IC001, thereby causing the micro processor to software reset.

R941 monitors the current of the audio stages, and applies a voltage to pin 5 of comparator 1. Should the audio current increase to a high value, pin 2 will be pulled low. Pin 8 of comparator 3 will then be pulled low via D971, and as a result, pin 14 becomes high. The threshold value of ZD961 will then be exceeded, and a voltage is applied to the thyristor Q958. This turns on and places the T.V. into its standby lockup mode as previously described

Comparator 4 protects the deflection output stages. R730 monitors the current at the emitter of Q751, and applies it to pin 11 of comparator 4. Should this level rise above the reference level at pin 10, the output from pin 14 becomes high. The threshold value of ZD961 will then be exceeded, and a voltage is applied to the thyristor Q958, placing the T.V. into its standby lockup mode

The 200v supply to the CRT base is also monitored for Overvoltage, EHT protection. The voltage at the junction of R719/R749 is applied to pin 9 of comparator 3. Should this level rise above the reference level at pin 8, the output from pin 14 becomes high.

The threshold value of ZD961 will then be exceeded, and a voltage is applied to the thyristor Q958, placing the T.V. into its standby lockup mode.





RL950 disconnects the deflection load in standby, and RL900 times out after a delay set by C969/ZD954. This action reduces the input standby power consumption. VR950 is used to adjust the sound on vision level, at max. audio power.

### **16:9 scart switching**

16:9 scart switching will operate automatically when a voltage between 4 and 8v is applied to pin 8 of scart 1. Since pin 8 of scart 1 is connected via potential divider to IC001 pin 2 and IC2701 pins 3 & 5.

When pin 5 of IC2701 rises above the reference level at pin 6, pin 7 of IC2701 and pin 50 of IC001 will go high and the set will automatically switch to 16:9 mode. When the voltage rises above the reference level at pin 2 of IC2701 pin goes high turning Q2705 on and pulls pin 50 of IC001 low and the set will automatically switch back to 4:3 mode.

### **Panoramic Mode**

When in panoramic mode Pin 6 of IC007 goes high turning relays RL2700 and RL2701 on via Q2700 and Q2701. C2700 and C2702 are then switched into circuit via the relays. This hence alters the S correction and Inside correction circuits by changing these values this will then produce the panoramic effect.

### **Zoom Mode**

The zoom mode when selected uses default values set within registers within the TDA9162 (IC501) and can only be selected by use of the I2C bus.

Although the geometric changes for zoom mode are carried out in software, due to a problem encountered when displaying a teletext signal an additional circuit is required

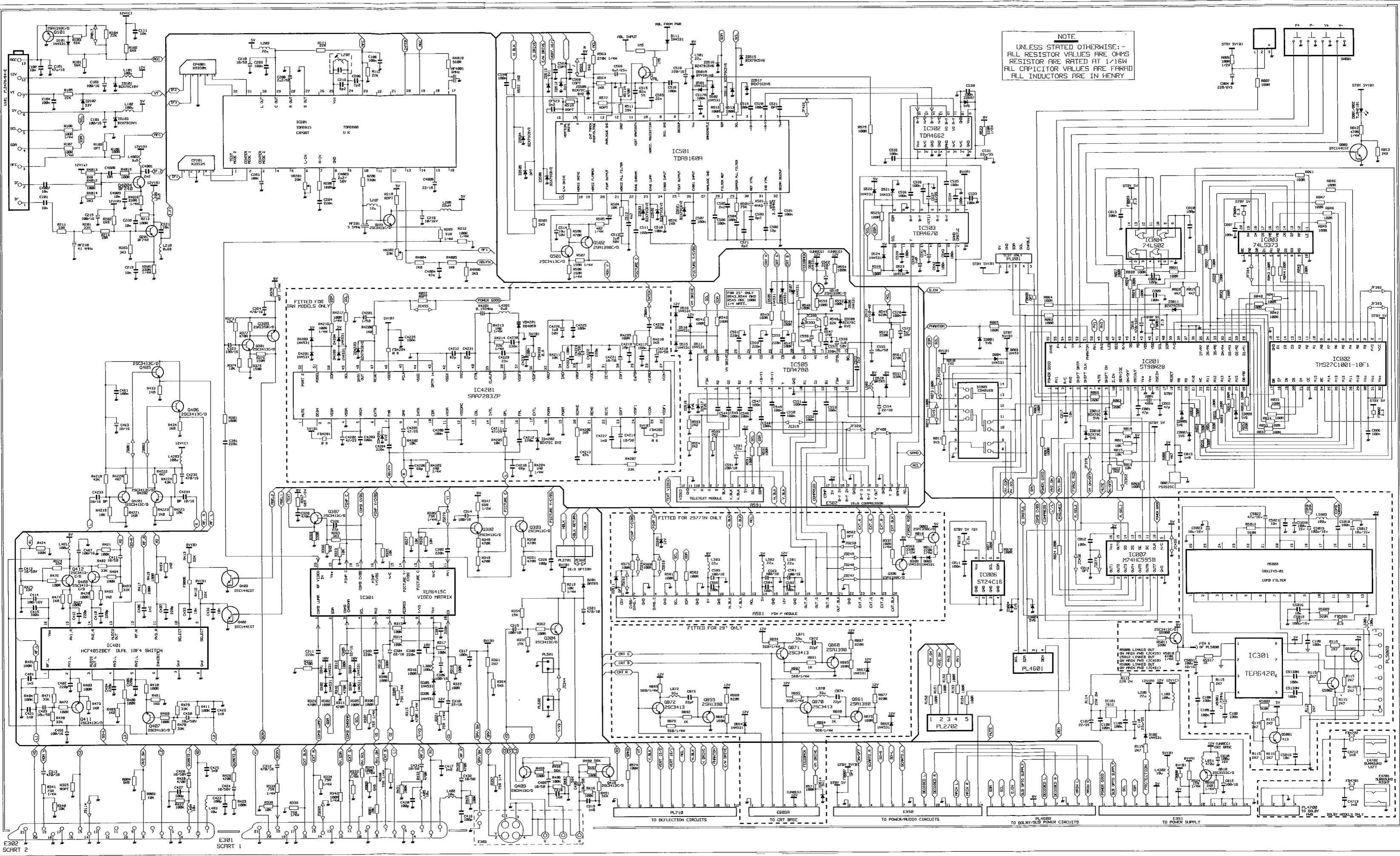
that consists of a Binary Coded Decimal Counter. The purpose of this counter is to delay the vertical sync pulse applied on pin 1 of IC2700 and output a delayed vertical sync pulse on part 3 of IC2700 whilst a teletext transmission is being displayed.

### **Compression Mode**

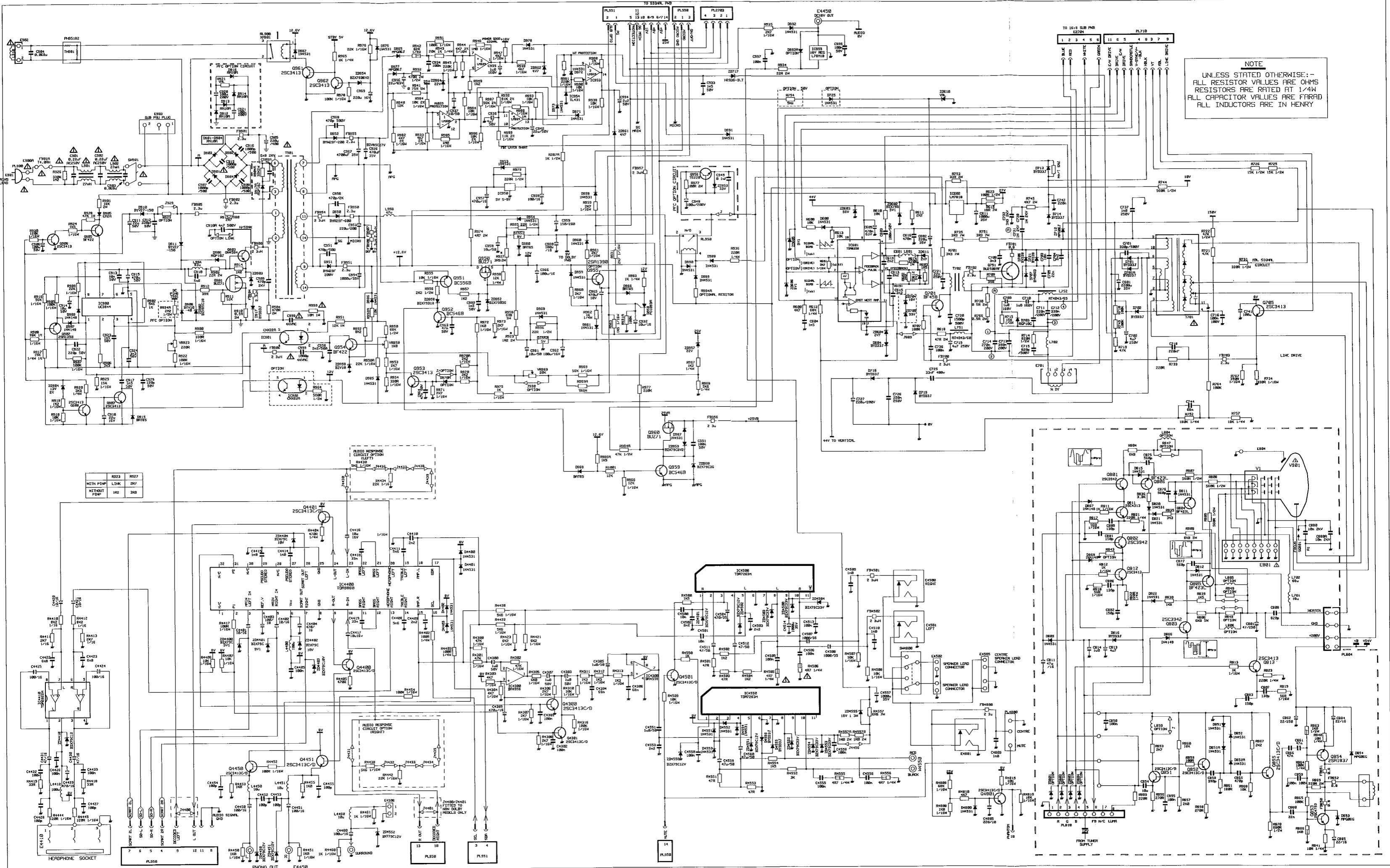
The conversion of aspect ratio from a 16:9 format to a 4:3 one is achieved by the use of a SAA.4981 which is a Video Compression I.C. The switching of this IC between the two modes is achieved by switching pin 7 of IC007 high for compression mode. This voltage is then applied to pin 9 of IC1300 which is one of the control ports. This voltage is also applied to the base of Q1300 which is then turned on and pulls pin 11 of IC1300 low. For 16:9 mode the output from pin 7 of IC1300 is low under this condition the R-Y, B-Y and the luminance signal are not processed and are looped directly through. Although if the 4:3 aspect ratio is selected a digital delay is introduced within the I.C.

### **Left and Right Channels:**

The decoded left and right channels emerge at pins 37 and 36 of IC4600 and are applied to pins 8 and 9 of IC4601. The two channels then reappear at pins 16 and 15 (no 1 signal processing takes place) and are then applied to pins 35 and 37 of IC4800 (The spatialiser chip). If the user has selected the spatialiser effect as well, IC001 will instruct the chip to process the signals. If the effect has not been selected the signals will be passed straight through. In either case the signals emerge at pins 30 and 29 where they are then passed back to IC4400 on pins 23 and 10. The two signals then re-emerge at pins 18 and 15 where they are then passed to both the power amplifier, as described previously.



C28300TN(A) SIGNAL CIRCUIT  
 CIRCUIT DE SIGNAUX C28300TN(A)  
 C28300TN(A) SIGNALSCHALTKEIS



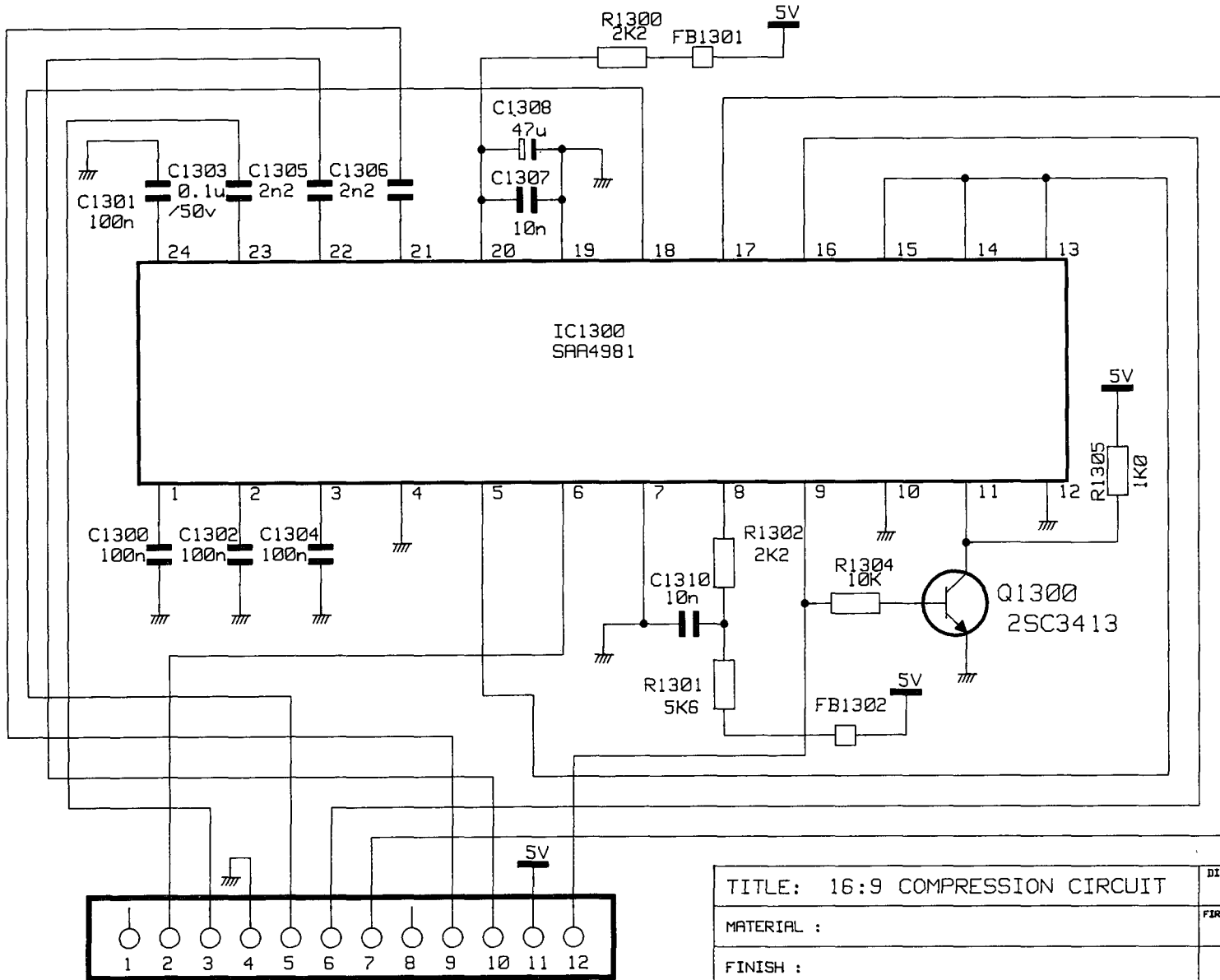
NOTE  
 UNLESS STATED OTHERWISE: -  
 ALL RESISTOR VALUES ARE OHMS  
 RESISTORS ARE RATED AT 1/4W  
 ALL CAPACITOR VALUES ARE FARAD  
 ALL INDUCTORS ARE IN HENRY

R93	R97
WITH PUMP LINK	20K
WITHOUT PUMP	30K

C28300 POWER DEFLECTION CIRCUIT DIAGRAM  
 SCHEMA DU CIRCUIT DE DEVIATION DE PUISSANCE C28300  
 C28300 SCHALTPLAN STROMVERSORGUNG ABLENKSTUFE

THIRD ANGLE PROJECTION.

ALL DIMENSIONS IN MILLIMETRES.



C28300 COMPRESSION CIRCUIT  
 CIRCUIT DE COMPRESSION C28300  
 C28300 KOMPRIMERSCHALTKREIS

211

ISSUE & MODS.		
1. 5-11-96		
1B. 7-11-96		
ECN A526450/004		
C1303 WAS 2n2		
<sup>c</sup> D.H.	<sup>c</sup> P.H.	<sup>a</sup> M.T.

UNSPECIFIED TOLERANCES  
 1 DEC. PLACE \*  
 2 DEC. PLACES \*  
 NO DEC. PLACES \*

TITLE: 16:9 COMPRESSION CIRCUIT	DIST. CODE D	Drawn By S.M.	Check Mechanical P.H.
MATERIAL :	FIRST USED ON	Check Electrical S.T.	Authorized M.T.
FINISH :	SCALE A3	DRWG. No. <b>A526450</b>	
HITACHI HOME ELECTRONICS (EUROPE) / M.D.	SH.	OF	SHTS

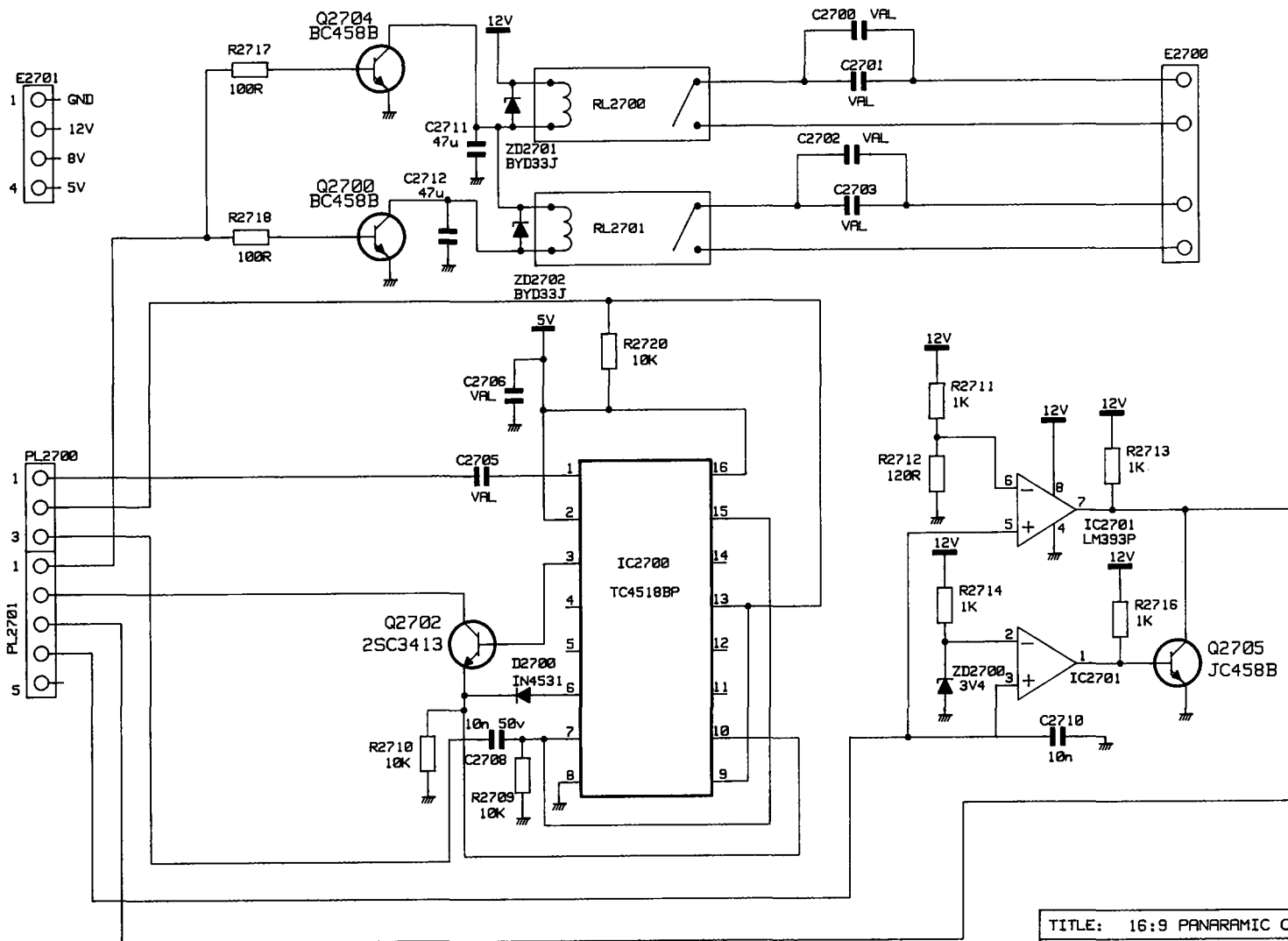
H1503/1 REV. 1



THIRD ANGLE PROJECTION.

ALL DIMENSIONS IN MILLIMETRES.

ISSUE & MODS.  
1. 5-11-96



UNSPECIFIED TOLERANCES  
1 DEC. PLACE  
2 DEC. PLACES  
NO DEC. PLACES

TITLE: 16:9 PANAROMATIC CIRCUIT	DEPT. CODE D	Drawn By S.M.	Check (Initials) P.H.
MATERIAL :	FORM USED ON 16:9	Check (Initials) S.T.	Part No. M.T.
FINISH :	SCALE	DRAWG. No. <b>A526460</b>	
HITACHI HOME ELECTRONICS (EUROPE) / M.D.	A2	SHEET 1 OF 1 NUMBER REV. 1	

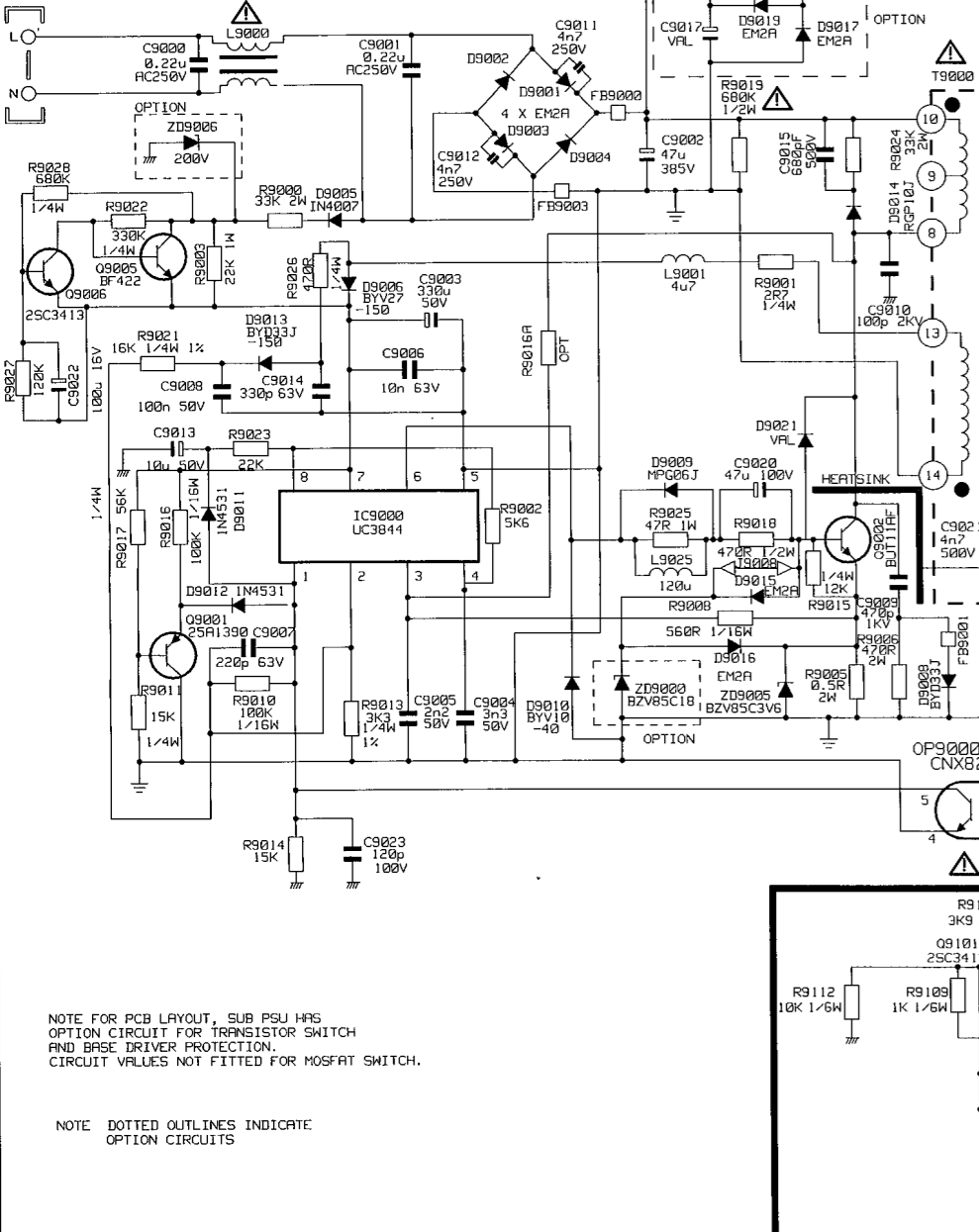
AS26410 POWER DEFLECTION CIRCUIT DIAGRAM  
SCHEMA DU CIRCUIT DE DEVIATION DE PUISSANCE AS26410  
AS26410 SCHALTPLAN STROMVERSORGUNG ABLENKSTUFE

CL2995  
CL28500  
CL28300

H1503/1 REV. 0

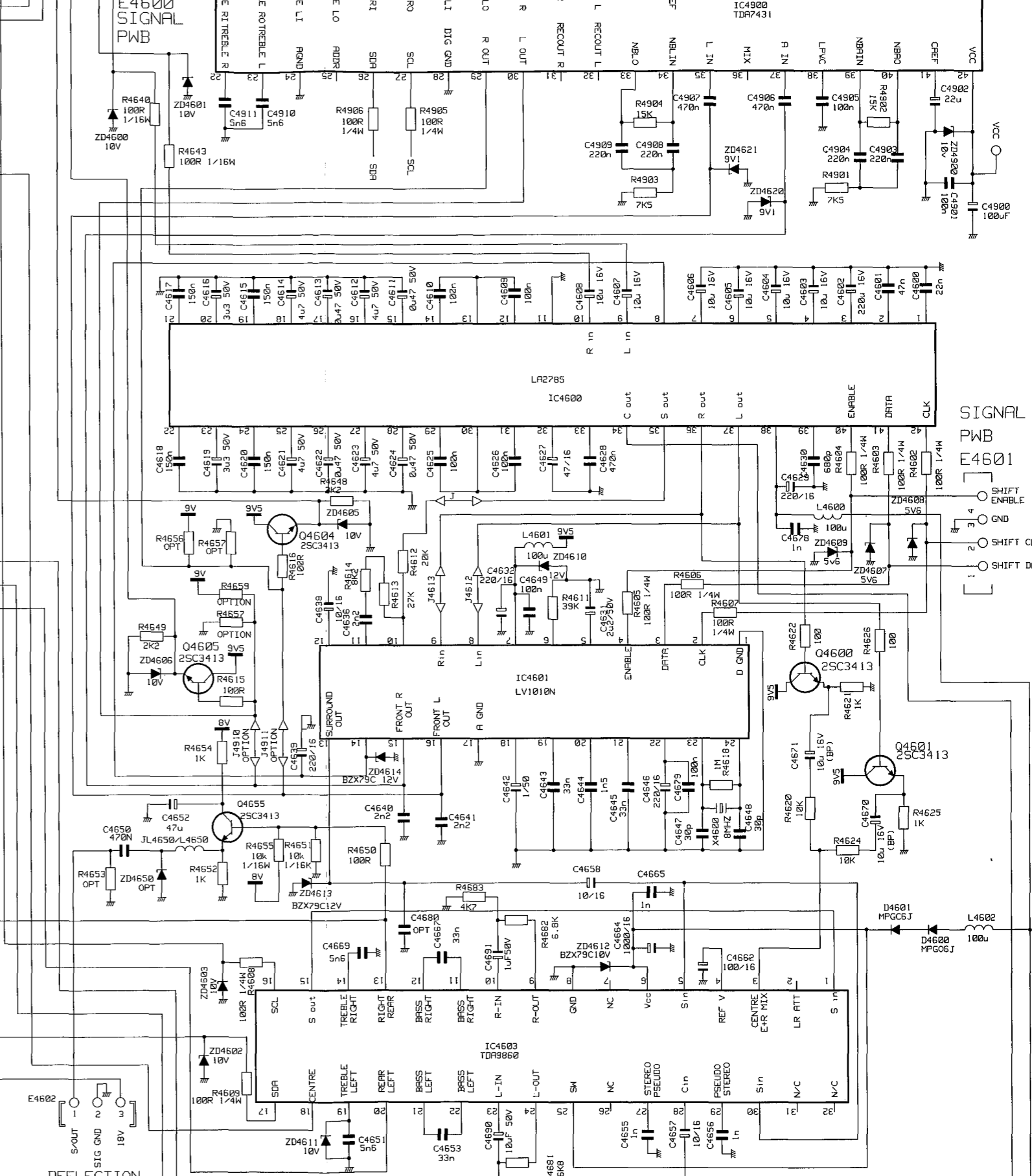
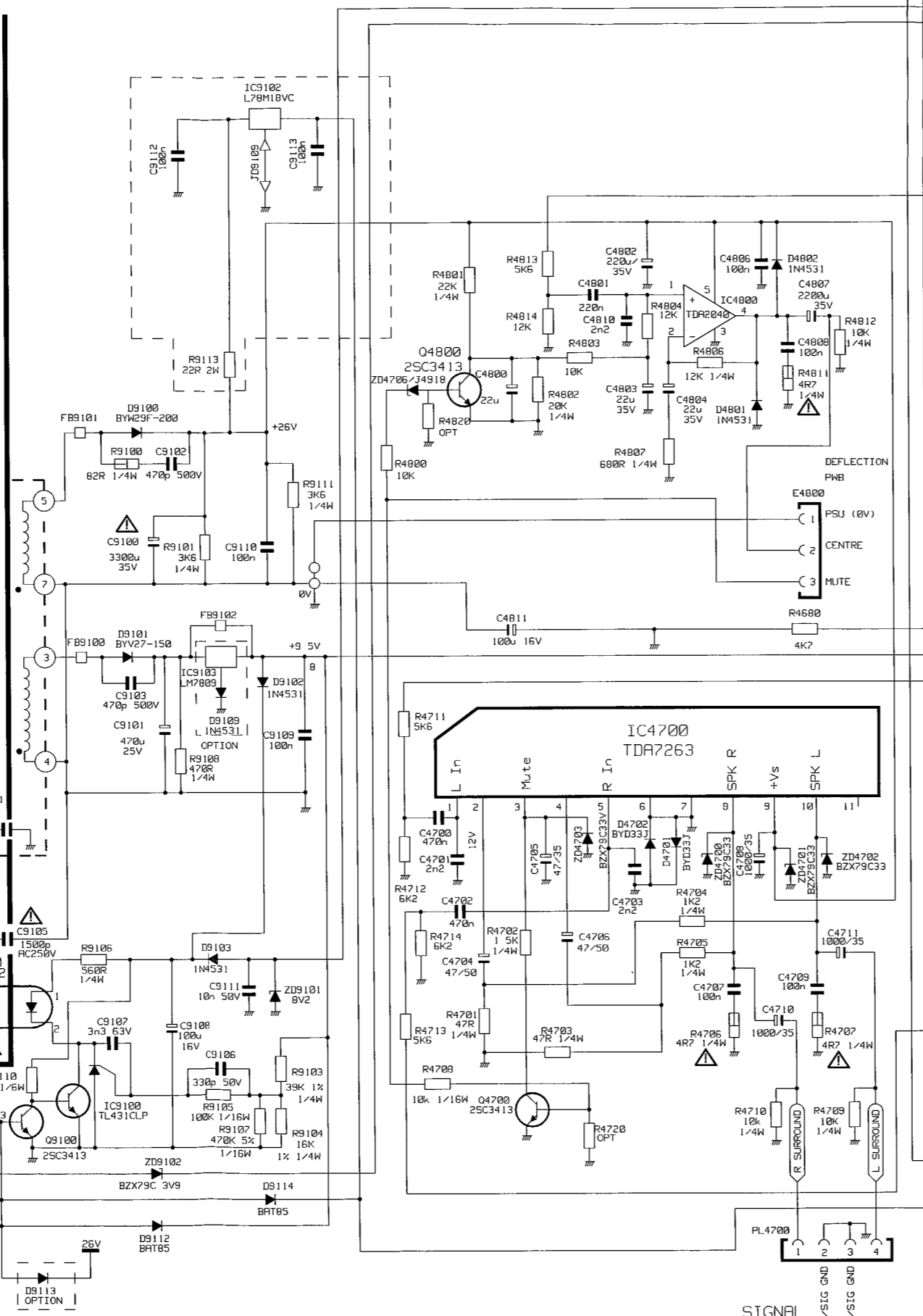
NOTE FOR PCB LAYOUT, SUB PSU HAS OPTION CIRCUIT FOR TRANSISTOR SWITCH AND BASE DRIVER PROTECTION CIRCUIT VALUES NOT FITTED FOR MOSFET SWITCH

E9000 POWER PWB

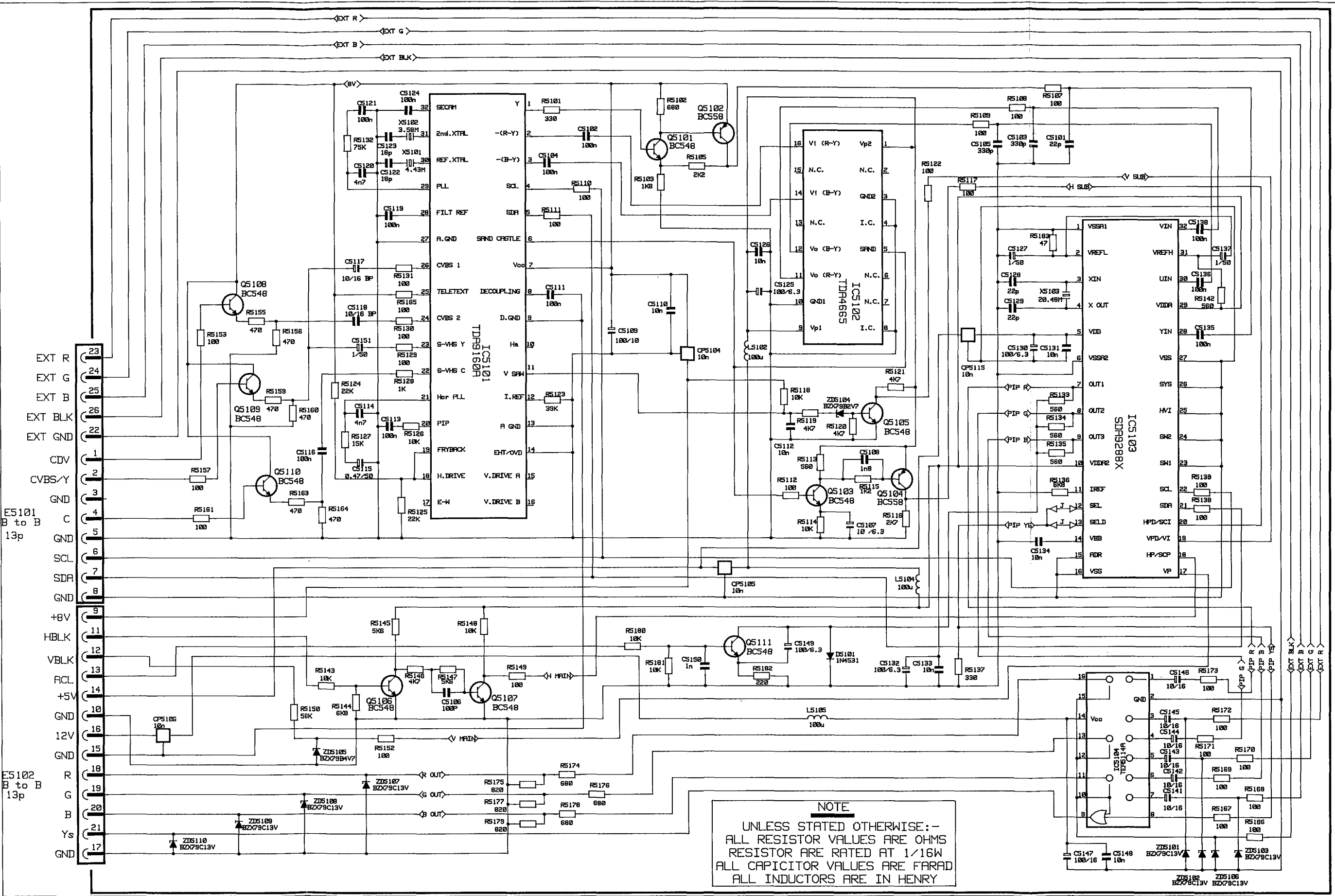


NOTE FOR PCB LAYOUT, SUB PSU HAS OPTION CIRCUIT FOR TRANSISTOR SWITCH AND BASE DRIVER PROTECTION CIRCUIT VALUES NOT FITTED FOR MOSFET SWITCH

NOTE DOTTED OUTLINES INDICATE OPTION CIRCUITS



C28300TN 16:9 DOLBY SUB POWER PWB  
SOUS-CCI DE PUISSANCE DOLBY 16:9 C28300TN  
C28300TN 16:9 DOLBY-INTERPLATINE

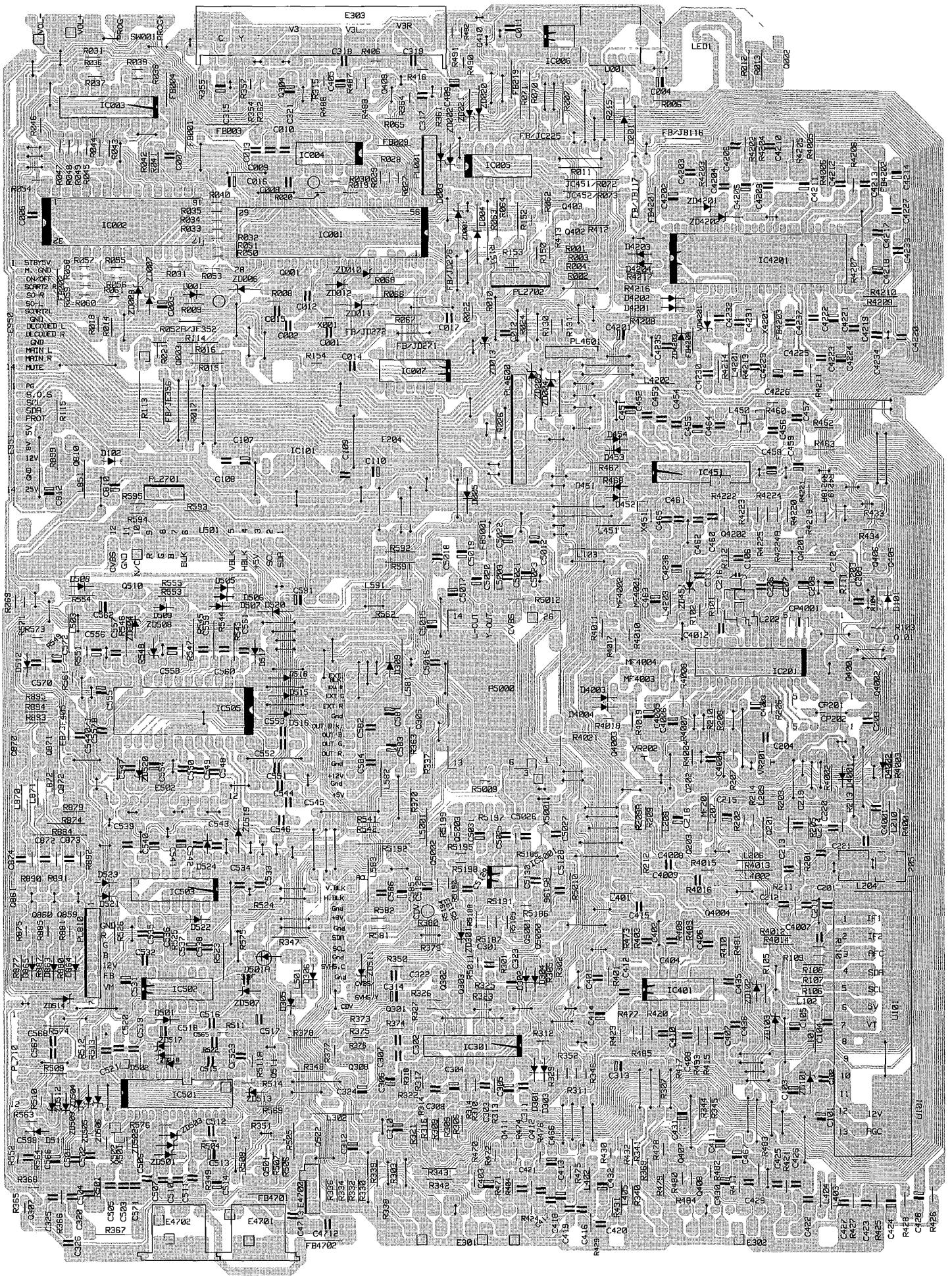


**NOTE**  
 UNLESS STATED OTHERWISE: -  
 ALL RESISTOR VALUES ARE OHMS  
 RESISTOR ARE RATED AT 1/16W  
 ALL CAPACITOR VALUES ARE FARAD  
 ALL INDUCTORS ARE IN HENRY

C28300 PICTURE IN PICTURE CIRCUIT  
 CIRCUIT IMAGE DANS L'IMAGE C28300  
 C28300 BILD-IM-BILD SCHALTKEIS







C2830 SIGNAL P.C.B.  
CCI SIGNAUX C2830  
C2830 SIGNALSCHALTKEIS



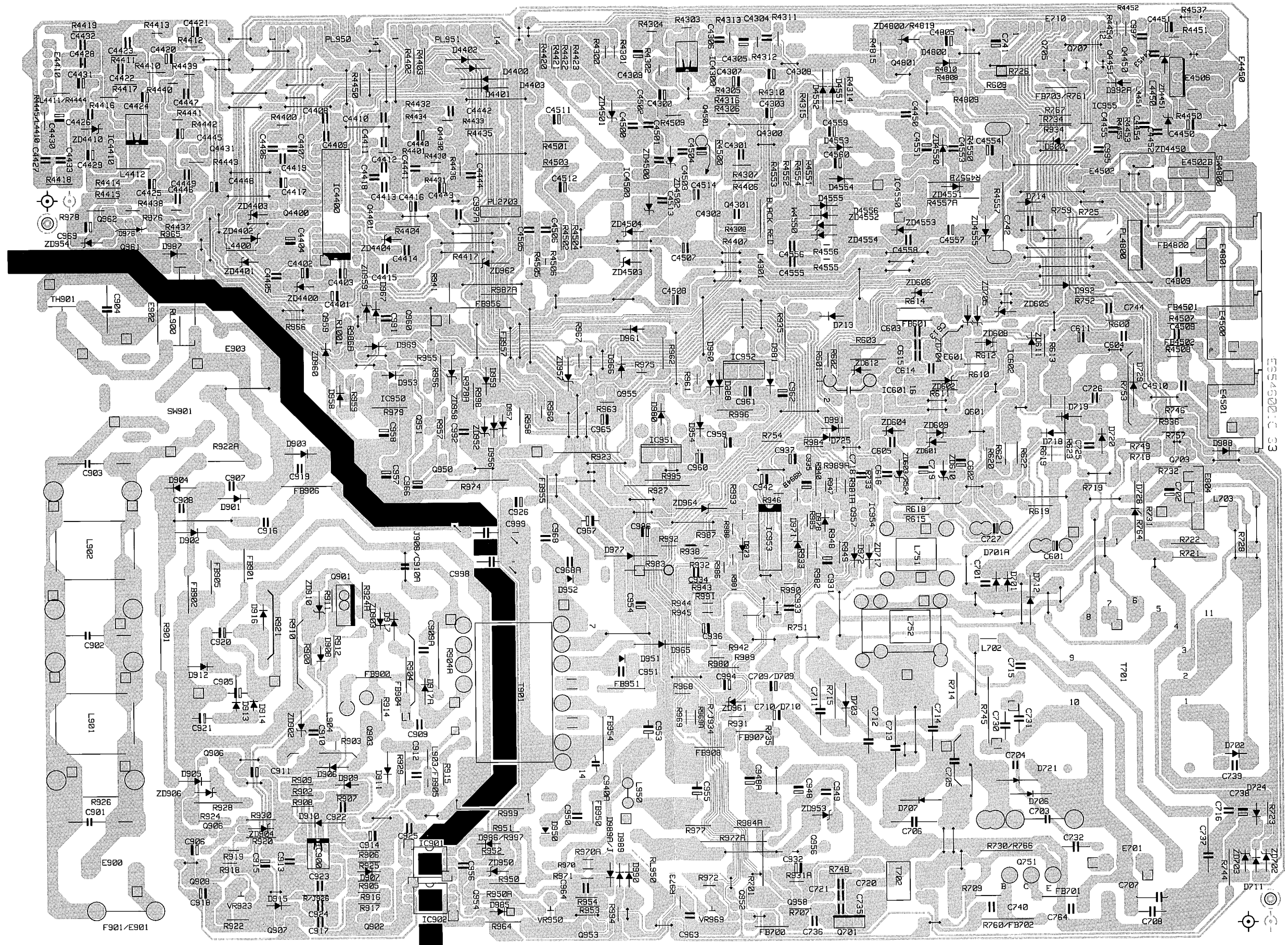


# NOTIZEN

(

(

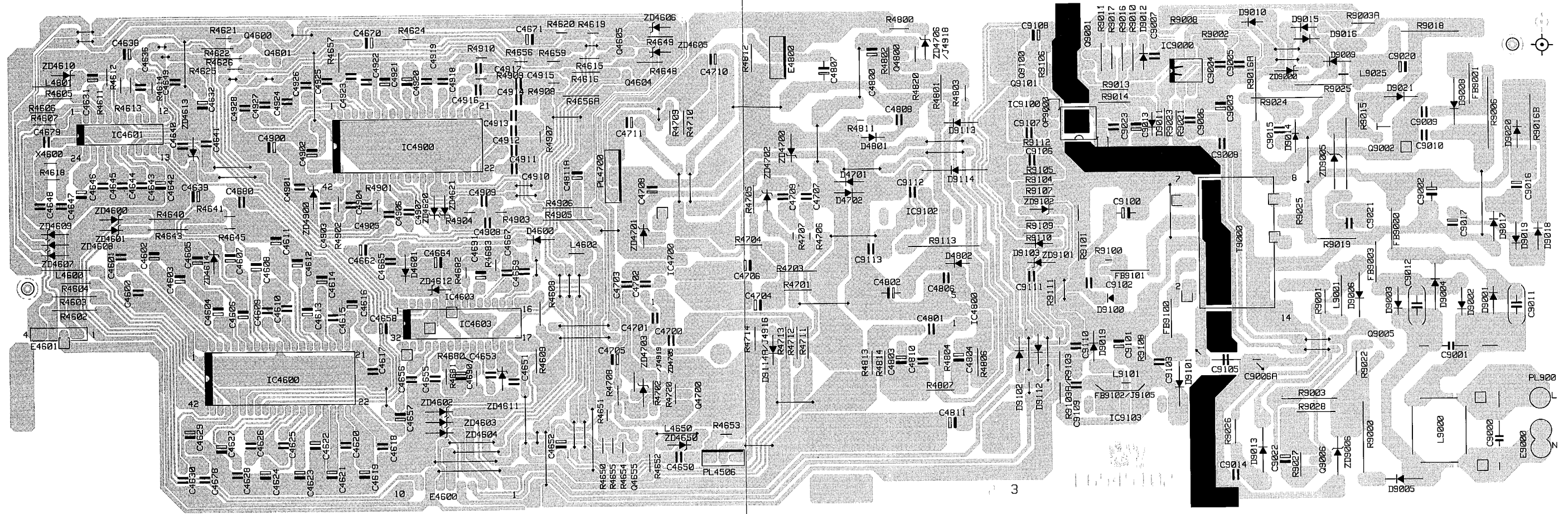




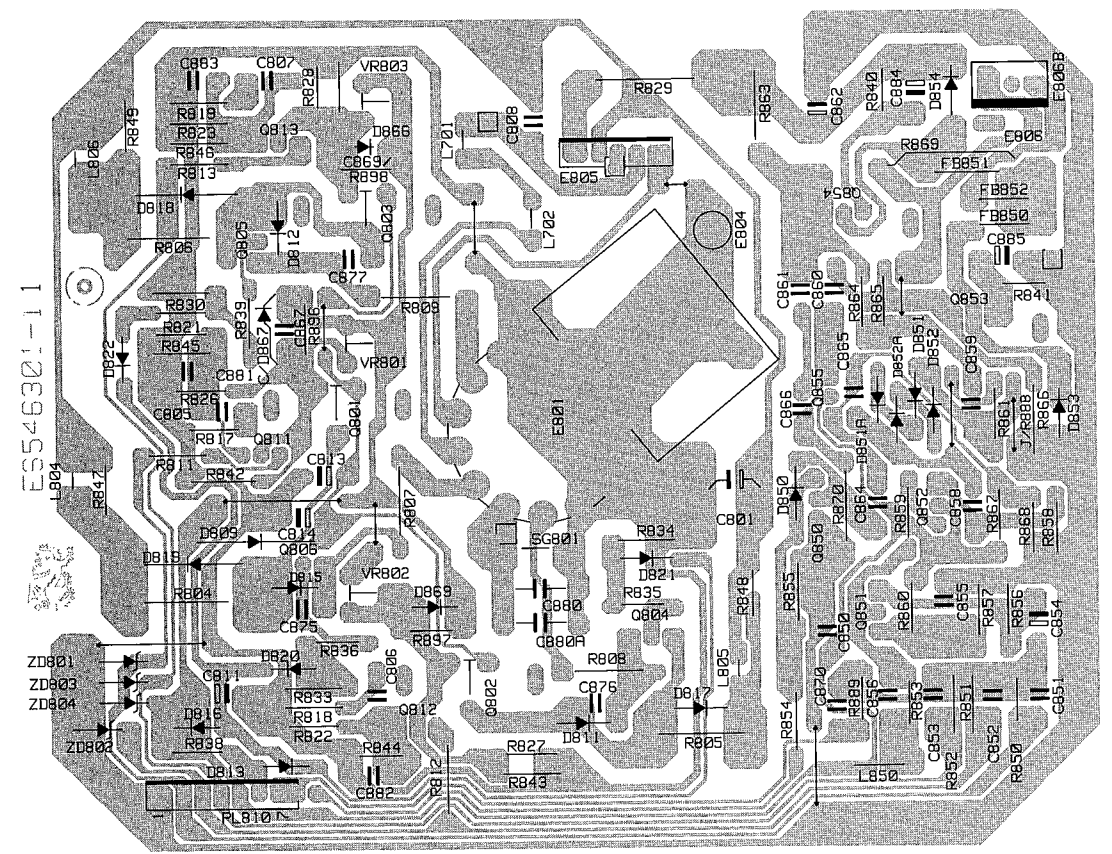
POWER DEFLECTION P.C.B.  
 DEVIATION DE PUISSANCE CCI  
 STROMVERSORGUNG ABLENKSTUFE P.C.B.



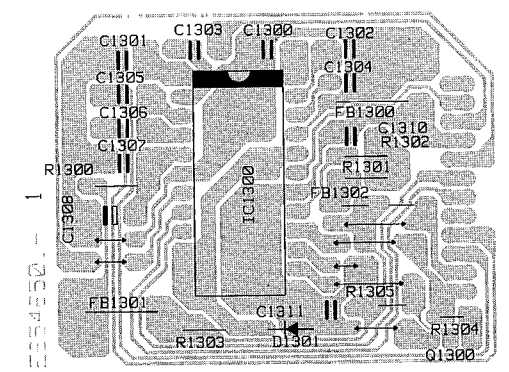




C28300 DOLBY SUB POWER PWB  
 C28300 DOLBY SUB POWER PWB  
 C28300 DOLBY UNTERPLATINE



C28300 CRT PWB  
 CCI CRT C28300  
 C28300 CRT PWB



C28300 COMPRESSION PWB  
 CCI COMPRESSION C28300  
 C28300 KOMPRIMIERSCHALTKREIS



## MISCELLANEOUS PARTS

	TYPE	PART NO.
△ BACK COVER 25" .....		X240533
△ BACK COVER 29" .....		X240555
△ BACK COVER 16:9 .....		X240631
 DOLBY SPEAKER (PAIR) .....		 X263451
 AV SCART LEAD .....		 E847141
 FRONT FRAME 16:9 .....		 X212721
FRONT FRAME 29" 75's .....		X212584
FRONT FRAME 29" 76's 77's.....		X212585
FRONT FRAME 25" .....		X212596
 HITACHI BADGE .....		 X640242
 MAINS KNOB 16:9.....		 X321151
MAINS KNOB 29" .....		X321122
MAINS KNOB 25" .....		X321131
 CONCEALED CONTROL TRIM.....		 X551742
 IR LED LENS 16:9.....		 X425076
IR LED LENS 29".....		X425072
IR LED LENS 29".....		X425073
 PUSH BUTTON 76's .....		 X321142
 SPEAKER BOX ASSY C25"/29" CL/CP25" .....		 A305901
 SPEAKER BOX ASSY CL/CP29" 16:9 .....		 A305902
 CONTROL DOOR 25" .....		 X263462
 SPEAKER LEAD .....		 E846661
SPEAKER LEAD 16:9 .....		E846668

	OPERATING GUIDES	QUICK GUIDES
C28300TN-311	X831271 .....	X831270
CL2576TAN-351, CL2976TAN-351	X831124 .....	X831125
CP2576TAN-381, CP2976TAN-381	X831130 .....	X831131
CP2976TA-341	X831132 .....	X831133
C2576TN-311, C2976TN-311, C2977TN-311	X831134 .....	X831135
CP2976TAN-301	X831166 .....	X831167
CP2576TAN-331, CP2976TAN-331	X831168 .....	X831169
CP2976TA-371	X831182 .....	X831183
CP2976TA-361	X831184 .....	X831185
CL2975TAN-351	X831245 .....	X831342
CP2975TAN-381	X831247 .....	X831341
CP2975TAN-301	X831249 .....	X831250
CP2975TAN-331	X831251 .....	X831343
CP2976TAN-301, CP2976TAN-391	X831327 .....	X831328
CP2975TAN-301, CP2975TAN-391	X831329 .....	X831330



## PIECES DIVERSES

	TYPE	Réf.
△ COUVERCLE ARRIERE 25 POUCES.....		X240533
△ COUVERCLE ARRIERE 29 POUCES.....		X240555
△ COUVERCLE ARRIERE 16:9.....		X240631
HAUT-PARLEUR DOLBY (PAIRE).....		X263451
CABLE PERITEL CA.....		E847141
CHASSIS AVANT 16:9.....		X212721
CHASSIS AVANT 29 POUCES 75.....		X212584
CHASSIS AVANT 29 POUCES 76, 77 .....		X212585
CHASSIS AVANT 25 POUCES.....		X212596
SIGLE HITACHI .....		X640242
BOUTON SECTEUR 16:9.....		X321151
BOUTON SECTEUR 29 POUCES.....		X321122
BOUTON SECTEUR 25 POUCES.....		X321121
GARNITURE DE COMMANDE DISSIMULEE.....		X551742
CABOCHON DEL INFRAROUGE 16:9.....		X425076
CABOCHON DEL INFRAROUGE 29 POUCES.....		X425072
CABOCHON DEL INFRAROUGE 25 POUCES.....		X425073
BOUTON-POUSSOIR 76 .....		X321142
ENSEMBLE ENCEINTE HAUT-PARLEUR C25 POUCES/29 POUCES CL/CP25 POUCES....		A305901
ENSEMBLE ENCEINTE HAUT-PARLEUR CL/CP29 POUCES 16:9 .....		A305902
PORTE COMMANDE 25 POUCES .....		X263462
CABLE DE HAUT-PARLEUR .....		E846661
CABLE DE HAUT-PARLEUR 16:9 .....		E846668

	GUIDES DE FONCTIONNEMENT	GUIDES RAPIDES
C28300TN-311	X831271 .....	X831270
CL2576TAN-351, CL2976TAN-351	X831124 .....	X831125
CP2576TAN-381, CP2976TAN-381	X831130 .....	X831131
CP2976TA-341	X831132 .....	X831133
C2576TN-311, C2976TN-311, C2977TN-311	X831134 .....	X831135
CP2976TAN-301	X831166 .....	X831167
CP2576TAN-331, CP2976TAN-331	X831168 .....	X831169
CP2976TA-371	X831182 .....	X831183
CP2976TA-361	X831184 .....	X831185
CL2975TAN-351	X831245 .....	X831342
CP2975TAN-381	X831247 .....	X831341
CP2975TAN-301	X831249 .....	X831250
CP2975TAN-331	X831251 .....	X831343
CP2976TAN-301, CP2976TAN-391	X831327 .....	X831328
CP2975TAN-301, CP2975TAN-391	X831329 .....	X831330



## VERSCHIEDENE TEILE

	AUSFÜHRUNG	TEIL NR.
△ RÜCKWAND 25" .....		X240533
△ RÜCKWAND 29" .....		X240555
△ RÜCKWAND 16:9.....		X240631
DOLBY-LAUTSPRECHER (PAAR) .....		X263451
AV-SCART-VERBINDUNGSKABEL .....		E847141
RAHMEN 16:9 .....		X212721
RAHMEN 29" BAUREIHE 75 .....		X212584
RAHMEN 29" BAUREIHE 76, 77.....		X212585
RAHMEN 25" .....		X212596
HITACHI BADGE .....		X640242
NETZSCHALTER 16:9 .....		X321151
NETZSCHALTER 29" .....		X321122
NETZSCHALTER 25" .....		X321121
VERBORGENER REGLER.....		X551742
IR/LED-LINSE 16:9.....		X425076
IR/LED-LINSE 29" .....		X425072
IR/LED-LINSE 25" .....		X425073
DRUCKTASTE BAUREIHE 76 .....		X321142
LAUTSPRECHERKASTEN C25"/29" CL/CP25" .....		A305901
LAUTSPRECHERKASTEN CL/CP29" 16:9 .....		A305902
STEUERTÜR 25" .....		X263462
LAUTSPRECHERKABEL.....		E846661
LAUTSPRECHERKABEL 16:9.....		E846668

	BETRIEBSANLEITUNG	SCHNELLANLEITUNG
C28300TN-311	X831271 .....	X831270
CL2576TAN-351, CL2976TAN-351	X831124 .....	X831125
CP2576TAN-381, CP2976TAN-381	X831130 .....	X831131
CP2976TA-341	X831132 .....	X831133
C2576TN-311, C2976TN-311, C2977TN-311	X831134 .....	X831135
CP2976TAN-301	X831166 .....	X831167
CP2576TAN-331, CP2976TAN-331	X831168 .....	X831169
CP2976TA-371	X831182 .....	X831183
CP2976TA-361	X831184 .....	X831185
CL2975TAN-351	X831245 .....	X831342
CP2975TAN-381	X831247 .....	X831341
CP2975TAN-301	X831249 .....	X831250
CP2975TAN-331	X831251 .....	X831343
CP2976TAN-301, CP2976TAN-391	X831327 .....	X831328
CP2975TAN-301, CP2975TAN-391	X831329 .....	X831330



PRODUCT SAFETY NOTE: Components marked with a  $\Delta$  have special characteristics important to safety. Before replacing any of these components, read carefully the PRODUCT SAFETY NOTICE of this service manual. Don't degrade the safety of this receiver through improper servicing.

NOTE RELATIVE A LA SECURITE DES PRODUITS: Les composants accompagnés du symbole  $\Delta$  ont des caractéristiques spéciales importantes pour la sécurité. Avant de remplacer ces composants, lire attentivement la NOTICE DE SECURITE DES PRODUITS du présent manuel d'entretien. Ne pas compromettre la sécurité de ce récepteur en ignorant les consignes d'entretien.

HINWEIS ZUR PRODUKTSICHERHEIT: Mit  $\Delta$  gekennzeichnete Teile sind für die Betriebssicherheit von besonderer Bedeutung. Lesen Sie die HINWEISE ZUR PRODUKTSICHERHEIT aufmerksam durch, bevor Sie ein solches Teil auswechseln. Beeinträchtigen Sie die Sicherheit dieses Geräts nicht durch Vornehmen unsachgemäßer Wartungsarbeiten.

Resistor Abbreviation	Type
MG	Metal Glaze
CF	Carbon Film
MO	Metal Oxide
FF	Fusible Film
VR	Variable Control
MF	Metal Film

Capacitor Abbreviation	Type
C	Ceramic
PF	Plastic Film
FT	Feed Through
MPO	Met. Polyester
MPS	Mica/Poylestyrene
MP	Metallised Paper

CRN	Part No.	Models
C001	J0890069R	
C002	J0890069R	
C004	J0800056R	
C006	J0880194R	
C007	J0880194R	
C008	J0880194R	
C009	J0890074R	
C010	J0890074R	
C011	J0880194R	
C012	J0880194R	
C013	J0880194R	
C015	J0880031R	
C016	J0800074F	
C017	J0880044R	
C101	J0800041R	
C102	J0880044R	
C103	J0800049R	
C104	J0880194R	
C105	J0800049R	
C106	J0880194R	
C107	J0800025R	
C108	J0880194R	
C109	J0880194R	
C110	J0800025R	
C1300	J0880194R	
C1301	J0880194R	
C1302	J0880194R	
C1303	J0880194R	
C1304	J0880194R	
C1305	J0880035R	
C1306	J0880035R	
C1307	J0880044R	
C1308	J0800041R	
C1310	J0880044R	
C201	C140877	
C203	J0880194R	
C204	J0880062R	
C207	J0800005R	
C208	J0800005R	
C209	J0880194R	
C210	J0800018R	
C215	J0800049R	
C216	C802182	C
C218	C802879	CL/CP
C219	J0800015R	
C220	J0880044R	
C2200	J0238296	
C2201	J0890078R	
C2202	C115182	
C2203	C115182	
C2204	J0890078R	
C2205	J0880044R	
C2206	J0880009R	
C2209	J0276717R	
C221	J0880044R	
C2210	J0880003R	
C2211	J0880066R	
C2213	J0800109R	
C2216	J0276717R	
C2217	J0800122R	
C2224	J0890065R	
C2227	J0800143R	

CRN	Part No.	Models
C2228	J0800122R	
C2229	J0276717R	
C2700	J0299932F	
C2702	J0299932F	
C2703	J0299931F	
C2705	J0880044R	
C2706	C150877	
C2708	J0880044R	
C2710	J0880194R	
C2711	J0880194R	
C2712	C447715	
C2713	C447715	
C301	J0880062R	
C302	J0276345R	
C303	J0880062R	
C304	J0800023R	
C305	J0800023R	
C306	J0800049R	
C307	J0276345R	
C308	J0880062R	
C310	J0800023R	
C311	J0880062R	
C312	J0800073R	
C313	J0800073R	
C314	J0800049R	
C315	J0800048R	
C317	J0880194R	
C318	J0890087R	
C319	J0890087R	
C320	J0880066R	
C321	J0800352R	
C322	J0890078R	
C323	J0800049R	
C324	J0800074F	
C325	J0890115R	
C326	J0890118R	
C4001	J0880035R	
C4003	J0800005R	
C4004	J0880053R	
C4005	J0800023R	
C4006	J0800023R	
C4007	J0880044R	
C4008	J0880044R	
C4009	J0880044R	
C401	J0880033R	
C4011	J0880044R	
C4012	J0880044R	
C402	J0890078R	
C403	J0800018R	
C404	J0890078R	
C405	J0800018R	
C406	J0890078R	
C407	J0890078R	
C408	J0880033R	
C409	J0800018R	
C410	J0890078R	
C411	J0800018R	
C412	J0890078R	
C413	J0800018R	
C414	J0800049R	
C415	J0880194R	
C416	J0890074R	
C417	J0880031R	

CRN	Part No.	Models
C420	J0890074R	
C4202	J0800042R	
C4203	J0880194R	
C4204	J0880062R	
C4205	J0800042R	
C4206	J0890072R	
C4208	J0880194R	
C421	J0880031R	
C4210	J0890072R	
C4211	J0800042R	
C4212	J0880062R	
C4213	C447877	
C4214	J0800018R	
C4217	J0880194R	
C4218	J0800018R	
C4219	C110182	
C4220	J0890082R	
C4221	J0800018R	
C4222	J0248992R	
C4223	J0880194R	
C4224	J0800018R	
C4225	J0880194R	
C4226	J0800003R	
C4227	J0880031R	
C4229	J0880048R	
C423	J0890074R	
C4230	J0880064R	
C4231	J0890073R	
C4232	J0890073R	
C4233	J0284638R	
C4234	J0284638R	
C4235	J0880194R	
C4236	J0800074F	
C4237	J0880194R	
C424	J0800018R	
C425	J0880031R	
C427	J0890074R	
C428	J0800018R	
C429	J0880031R	
C430	J0800018R	
C4300	J0800003R	
C4301	J0880194R	
C4302	J0880194R	
C4303	J0800003R	
C4304	J0880055R	
C4305	J0800003R	
C4306	J0880055R	
C4307	J0800003R	
C4309	J0800074F	
C431	J0800018R	
C432	J0800018R	
C435	J0880044R	
C436	J0880044R	
C4401	J0284638R	
C4402	J0284638R	
C4403	J0800048R	
C4404	J0800074F	
C4405	J0880194R	
C4408	J0880041R	
C4409	J0880035R	
C4410	J0880035R	
C4411	J0880041R	
C4414	J0890087R	

PRODUCT SAFETY NOTE: Components marked with a  $\Delta$  have special characteristics important to safety. Before replacing any of these components, read carefully the PRODUCT SAFETY NOTICE of this service manual. Don't degrade the safety of this receiver through improper servicing.

NOTE RELATIVE A LA SECURITE DES PRODUITS: Les composants accompagnés du symbole  $\Delta$  ont des caractéristiques spéciales importantes pour la sécurité. Avant de remplacer ces composants, lire attentivement la NOTICE DE SECURITE DES PRODUITS du présent manuel d'entretien. Ne pas compromettre la sécurité de ce récepteur en ignorant les consignes d'entretien.

HINWEIS ZUR PRODUKTSICHERHEIT: Mit  $\Delta$  gekennzeichnete Teile sind für die Betriebssicherheit von besonderer Bedeutung. Lesen Sie die HINWEISE ZUR PRODUKTSICHERHEIT aufmerksam durch, bevor Sie ein solches Teil auswechseln. Beeinträchtigen Sie die Sicherheit dieses Geräts nicht durch Vornehmen unsachgemäßer Wartungsarbeiten.

CRN	Part No.	Models
C4415	J0890087R	
C4416	J0800015R	
C4417	J0800015R	
C4418	J0880051R	
C4419	J0880051R	
C4220	J0284638R	
C4421	J0284638R	
C4422	J0880042R	
C4423	J0880042R	
C4424	J0800049R	
C4425	J0800049R	
C4426	J0880194R	
C4427	J0890074R	
C4428	J0890074R	
C4429	J0800074F	
C4430	J0800041R	
C4431	J0800041R	
C4432	J0880194R	
C4433	J0880194R	
C4450	J0800049R	
C4451	J0800049R	
C4452	J0890074R	
C4453	J0890074R	
C4454	J0890074R	
C4455	J0890074R	
C4500	J0880044R	
C4501	J0880044R	
C4502	J0880035R	
C4503	J0880035R	
C4504	J0800043R	
C4505	J0880194R	
C4506	J0880194R	
C4507	J0800084F	
C4508	J0800084F	
C4509	J0890087R	
C451	J0800018R	
C4510	J0890087R	
C4511	J0800044R	
C4512	J0800044R	
C4513	J0880194R	
C4514	J0800084F	
C452	J0880044R	
C453	J0880044R	
C454	J0880037R	
C455	J0800057R	
C4550	J0880194R	
C4551	J0284623R	
C4553	J0880035R	
C4555	J0880194R	
C4556	J0880194R	
C4557	J0800084N	
C4558	J0880194R	
C4559	J0800044R	
C456	J0284638R	
C4560	J0800044R	
C457	J0284638R	
C458	J080005R	
C459	J080005R	
C460	J0880044R	
C4600	J0880048R	
C4601	J0880053R	
C4602	J0800058R	
C4603	J0800015R	
C4604	J0800015R	
C4605	J0800015R	
C4606	J0800015R	
C4607	J0800015R	
C4608	J0800015R	
C4609	J0880194R	
C461	J0880194R	
C4610	J0880194R	
C4611	J0800001R	
C4612	J0800012R	
C4613	J0800001R	
C4614	J0800012R	
C4615	J0880059R	
C4616	J0800007R	
C4617	J0880059R	
C4618	J0880059R	

CRN	Part No.	Models
C4619	J0800007R	
C462	J0880044R	
C4620	J0880059R	
C4621	J0800012R	
C4622	J0800001R	
C4623	J0800012R	
C4624	J0800001R	
C4625	J0880194R	
C4626	J0880194R	
C4627	J0800041R	
C4628	J0880066R	
C4629	J0800058R	
C463	J0800015R	
C4630	J0243511R	
C4631	J0800005R	
C4632	J0800058R	
C4636	J0880035R	
C4638	J0800015R	
C4639	J0800058R	
C464	J0890069R	
C4640	J0244105R	
C4641	J0244105R	
C4642	J0800003R	
C4643	J0880051R	
C4644	J0880033R	
C4645	J0880051R	
C4646	J0800058R	
C4647	J0246451R	
C4648	J0246451R	
C4649	J0880194R	
C465	J0890114R	
C4650	J0880066R	
C4651	J0880041R	
C4652	J0800041R	
C4653	J0880051R	
C4655	J0880031R	
C4656	J0880031R	
C4657	J0800015R	
C4658	J0800015R	
C466	J0800326R	
C4662	J0800049R	
C4664	J0800082N	
C4665	J0880031R	
C4667	J0880051R	
C4669	J0880041R	
C467	J0800326R	
C4670	J0284638R	
C4671	J0284638R	
C4678	J0880031R	
C4679	J0880194R	
C4690	J080003R	
C4691	J0800003R	
C4700	J0880066R	
C4701	J0880035R	
C4702	J0880066R	
C4703	J0880035R	
C4704	J0800044R	
C4705	J0800043R	
C4706	J0800044R	
C4707	J0880194R	
C4708	J0800084R	
C4709	J0880194R	
C4710	J0800084R	
C4711	J0800084R	
C4712	J0880031R	
C4713	J0880031R	
C4800	J0800025R	
C4801	J0880062R	
C4802	J0800337R	
C4803	J0800025R	
C4804	J0800025R	
C4805	J0800057R	
C4806	J0880194R	
C4807	J0253934F	
C4808	J0880194R	
C4809	J0880031R	
C4810	J0880035R	
C4811	J0800049R	
C4900	J0800052R	

CRN	Part No.	Models
C4901	J0880194R	
C4902	J0800023R	
C4903	J0880062R	
C4904	J0880062R	
C4905	J0880194R	
C4906	J0880066R	
C4907	J0880066R	
C4908	J0880062R	
C4909	J0880062R	
C4910	J0880041R	
C4911	J0880041R	
C4912	J0880047R	
C4913	J0880048R	
C4914	J0880047R	
C4915	J0880048R	
C4916	J0880194R	
C4917	J0880194R	
C4918	J0880194R	
C4919	J0880194R	
C4920	J0800005R	
C4921	J0800005R	
C4922	J0880205R	
C4923	J0880041R	
C4924	C132877	
C4925	J0880194R	
C4926	C437715	
C4927	J0880048R	
C4928	J0880048R	
$\Delta$ Chassis Frames	N937014	76's, 77's
$\Delta$ Chassis Frames	N937015	75's
$\Delta$ Chassis Frames	N937018	16:9
C5000	J0248694R	
C5001	J0880044R	
C5002	J0880044R	
C5003	J0800112R	
C5004	J0890116R	
C5005	J0800117R	
C5006	J0880044R	
C5007	J0890109R	
C5008	J0800117R	
C5009	J0880031R	
C501	J0880194R	
C5010	J0248696R	
C5011	J0880031R	
C5012	J0284638R	
C5013	J0800143R	
C5014	J0880044R	
C5015	J0800049R	
C5016	J0880044R	
C5017	J0800015R	
C5018	J0880194R	
C5019	J0800049R	
C502	C118182	
C5020	J0800049R	
C5021	J0880044R	
C5022	J0800041R	
C5023	J0800015R	
C5025	J0890083R	
C5026	J0880194R	
C5027	J0890116R	
C503	C802182	
C5031	J0800015R	
C5032	J0880194R	
C504	J0880194R	
C505	J0880035R	
C506	J0880194R	
C507	J0880194R	
C510	J0880194R	
C5101	J0890065R	
C5102	J0880194R	
C5103	J0890081R	
C5104	J0880194R	
C5105	J0890081R	
C5106	J0890074R	
C5107	J0800015R	
C5108	J0880033R	
C5109	J0800048R	
C511	J0880194R	
C5110	J0880044R	





PRODUCT SAFETY NOTE Components marked with a  $\Delta$  have special characteristics important to safety. Before replacing any of these components, read carefully the PRODUCT SAFETY NOTICE of this service manual. Don't degrade the safety of this receiver through improper servicing.

NOTE RELATIVE A LA SECURITE DES PRODUITS: Les composants accompagnés du symbole  $\Delta$  ont des caractéristiques spéciales importantes pour la sécurité. Avant de remplacer ces composants, lire attentivement la NOTICE DE SECURITE DES PRODUITS du présent manuel d'entretien. Ne pas compromettre la sécurité de ce récepteur en ignorant les consignes d'entretien

HINWEIS ZUR PRODUKTSICHERHEIT: Mit  $\Delta$  gekennzeichnete Teile sind für die Betriebssicherheit von besonderer Bedeutung. Lesen Sie die HINWEISE ZUR PRODUKTSICHERHEIT aufmerksam durch, bevor Sie ein solches Teil auswechseln. Beeinträchtigen Sie die Sicherheit dieses Geräts nicht durch Vornehmen unsachgemäßer Wartungsarbeiten.

CRN	Part No.	Models
C5111	J0880194R	
C5112	J0880044R	
C5113	J0880194R	
C5114	J0890096R	
C5115	J0800001R	
C5116	J0880194R	
C5117	J0284638R	
C5119	J0880194R	
C512	J0880039R	
C5120	J0890096R	
C5121	J0880194R	
C5122	J0890117R	
C5123	J0890117R	
C5124	J0880194R	
C5125	J0800047R	
C5126	J0880044R	
C5127	J0800003R	
C5128	J0800015R	16:9
C5128	J0890114R	77's
C5129	J0890078R	16:9
C5129	J0890114R	77's
C513	J0800003R	
C5130	J0800047R	77's
C5130	J0880031R	16:9
C5131	J0880044R	
C5132	J0800047R	
C5133	J0880044R	
C5134	J0880044R	
C5135	J0880194R	
C5136	J0880194R	
C5137	J0800003R	
C5138	J0880194R	
C514	J0800018R	
C5141	J0800015R	
C5142	J0800015R	
C5143	J0800015R	
C5144	J0800015R	
C5145	J0800015R	
C5146	J0800015R	
C5147	J0800049R	
C5148	J0880044R	
C515	J0880056R	
C5151	J0284638R	
C5152	J0890079R	
C516	J0880194R	
C517	J0800086	
C517A	J0880194R	
C518	J0800058R	25"
C518	J0800086	29", 16:9
C519	J0880194R	
C520	J0880194R	
C530	J0880194R	
C531	J0800025R	
C532	J0880194R	
C533	J0880194R	
C534	J0880194R	
C535	J0880194R	
C536	J0880194R	
C537	J0800025R	
C538	J0880194R	
C539	J0880194R	
C540	J0800003R	
C541	J0800003R	
C542	J0880194R	
C543	J0880194R	
C544	J0880194R	
C545	J0880194R	
C546	J0880194R	
C547	J0880194R	
C548	J0880194R	
C549	J0880194R	
C550	J0880194R	
C551	J0880194R	
C552	J0880194R	
C553	J0880194R	
C554	J0800025R	
C555	J0800009R	25", 29"
C555	J0800018R	16:9
C556	J0800003R	

CRN	Part No.	Models
C557	J0880064R	
C558	J0800003R	
C559	J0880062R	
C560	J0880062R	
C561	J0880062R	
C562	J0800058R	
C565	C242877	
C566	J0800009R	
C570	J0279693R	
C571	C802182	
C572	J0800005R	25", 29"
C572	J0800009R	16:9
C581	J0800049R	
C582	J0880194R	
C583	J0800049R	
C584	J0880194R	
C585	J0800049R	
C586	J0880194R	
C591	J0800049R	
C598	J0880194R	
C601	J0253934F	
C602	J0800337R	
C603	J0880194R	
C604	J0800009R	16:9
C604	J0880033R	25", 29"
C605	J0880066R	
C611	J0800084F	
C613	J0244505R	
C614	J0244505R	
C615	J0244505R	
C616	J0880066R	
C617	J0244505R	
C701	J0243507R	
C702	J0257540F	
C703	C140755	29"
C703	C142755	16:9
C703	C832755	25"
C704	J0244211R	16:9
C704	J0244215R	29"
C704	J0246364	25"
C705	J0299994F	16:9
C705	J0299995F	25", 29"
C707	J0244215F	
C708	J0244213F	25"
C708	J0246364	29"
C709	J0253952R	29"
C709	J0253953R	25", 16:9
C710	J0253952R	29"
C710	J0253953R	25", 16:9
C711	J0299930F	29", 16:9
C711	J0299931F	25"
C712	J0299932F	
C713	J0299926F	25"
C713	J0299933F	29", 16:9
C714	J0299931F	29", 16:9
C714	J0299932F	25"
C715	J0243512R	
C716	J0279693R	
C718	J0880062R	
C719	J0253971F	
C720	J0244503R	
C721	J0250511R	
C725	C000515	
C726	C252711	
C727	J0253492	
C730	J0244211F	
C731	J0244211F	
C732	J0244889R	16:9
C732	J0246364	25", 29"
C732A	J0244213R	
C736	J0880194R	
C737	C160708	
C741	J0800049R	
C742	J0890078R	
C744	J0880055R	
C760	C333713	
C801	J0253975F	
C805	J0246467R	
C806	J0246467R	

CRN	Part No.	Models
C807	J0246467R	
C808	J0243512R	
C809	J0800049R	
C810	J0800049R	
C811	J0800041R	29", 16:9
C811	J0800049R	25"
C812	J0800049R	
C813	J0800003R	
C814	J0800009R	
C850	J0880194R	
C854	J0800015R	
C855	J0880194R	
C858	J0800082R	
C859	J0279693R	
C860	J0880048R	
C861	C447710	
C862	J0253957F	
C865	J0890083R	
C866	C447710	
C871	J0800003R	
C872	J0800003R	29"
C872	J0890118R	16:9
C873	J0800003R	29"
C873	J0890118R	16:9
C874	J0800003R	29"
C874	J0890118R	16:9
C875	J0890084R	
C876	J0890084R	
C877	J0890084R	
C880	E884110	
C880A	E884110	
C881	J0890076R	29", 16:9
C881	J0890079R	25"
C882	J0890076R	29", 16:9
C882	J0890079R	25"
C883	J0890076R	29", 16:9
C883	J0890079R	25"
C884	J0800023R	
C885	J0800023R	
$\Delta$ C9000	J0262774N	
$\Delta$ C9001	J0262774N	
C9002	J0253873F	
C9003	J0800069R	
C9004	C333713	
C9005	J0880035R	
C9006	J0880044R	
C9007	C222863	
C9008	J0880057R	
C9009	JAJ00129F	
$\Delta$ C901	J0262774N	
C9010	J0246344	76's, 77's
C9010	JAJ00121	16:9
$\Delta$ C9011	JAJ00273R	
$\Delta$ C9012	JAJ00273R	
C9013	J0800018R	
C9014	C323182	
C9015	J0243511R	
$\Delta$ C902	J0262774N	
C9020	J0258127F	
C9021	J0244509R	
C9022	J0800049R	
C9023	C121143	
$\Delta$ C903	C648751	
C904	C648727F	
C905	C001544	
C906	J0800053R	
C907	J0244501R	
C908	J0244501R	
C909	J0244213R	25", 29"
C909	JAJ00129F	16:9
C910	J0246344	25", 29"
C910	J0880041R	16:9
C9100	J0253935F	
C9101	J0800075R	
C9102	J0243509R	
C9103	J0243509R	
$\Delta$ C9105	C135753	
C9106	C323182	
C9107	C333713	

PRODUCT SAFETY NOTE: Components marked with a  $\Delta$  have special characteristics important to safety. Before replacing any of these components, read carefully the PRODUCT SAFETY NOTICE of this service manual. Don't degrade the safety of this receiver through improper servicing.

NOTE RELATIVE A LA SECURITE DES PRODUITS: Les composants accompagnés du symbole  $\Delta$  ont des caractéristiques spéciales importantes pour la sécurité. Avant de remplacer ces composants, lire attentivement la NOTICE DE SECURITE DES PRODUITS du présent manuel d'entretien. Ne pas compromettre la sécurité de ce récepteur en ignorant les consignes d'entretien.

HINWEIS ZUR PRODUKTSICHERHEIT: Mit  $\Delta$  gekennzeichnete Teile sind für die Betriebssicherheit von besonderer Bedeutung. Lesen Sie die HINWEISE ZUR PRODUKTSICHERHEIT aufmerksam durch, bevor Sie ein solches Teil auswechseln. Beeinträchtigen Sie die Sicherheit dieses Geräts nicht durch Vornehmen unsachgemäßer Wartungsarbeiten.

CRN	Part No.	Models
C9108	J0800049R	
C9109	J0880057R	
C911	J0800026R	16:9
C911	J0880044R	25", 29"
C9110	J0880057R	
C9111	J0880044R	
C912	J0890074R	25", 29"
C912	J0890081R	16:9
C913	J0880033R	25", 29"
C913	J0880044R	16:9
C914	J0800018R	16:9
C914	J0880066R	25", 29"
C915	J0800032R	25", 29"
C915	J0800076F	16:9
C916	J0244501R	
C917	C135713	16:9
C917	J0880066R	25", 29"
C918	J0800023R	16:9
C918	J0890081R	25", 29"
C919	J0244501R	
C922	J0890078R	
C923	J0880033R	
C924	J0880037R	
C925	J0890075R	
C926	J0800076F	
C932	J0800015R	
C933	J0880033R	
C934	J0880057R	
C935	J0253952R	
C936	J0800012R	
C937	J0800018R	
C939	J0880059R	
C939A	J0880059R	
C941	J0890083R	
C942	J0800026R	
C947	JAJ00127F	
C950	JAJ00129R	
C951	J0243509R	
C953	J0259431F	
C954	J0800084N	
C955	J0253492	
C956	J0244505R	
C957	J0800074F	
C958	J0800049R	
C959	J0258108R	
C960	J0254505R	
C961	J0258108R	
C962	J0800049R	
C963	J0880053R	
C964	J0880053R	
C965	J0800073R	
C966	J0800049R	
C967	C001548	
C968	J0243509R	
C969	J0800058R	
C991	J0880057R	
C992	J0880033R	
C994	J0800005R	
C995	J0880194R	
C996	J0800027R	
C997	J0880194R	
$\Delta$ C998	C232753	
$\Delta$ C999	C130753	
CF522	J0244105R	
CF523	J0244105R	
CP201	E518042	CL, CP
CP201	E518053	C
CP202	E518053	
CP4001	E518054	CL
CP4001	E518055	C
CP4001	E518056	CP
CP5104	J2791762	
CP5105	J2791762	
CP5106	J2791762	
CP5115	J2791762	
D001	T547041	
D003	J2348921M	
D004	J2348921M	
D005	J2348921M	

CRN	Part No.	Models
D101	J2348921M	
D102	J2348921M	
D201	T531055	
D2201	J2348921M	
D2700	J2348921M	
D2701	T431113	
D2702	T431113	
D301	J2348921M	
D302	J2348921M	
D303	J2348921M	
D304	J2348921M	
D305	J2348921M	
D306	J2348921M	
D309	J2348921M	
D4001	J2348921M	
D4002	J2348921M	
D4003	J2348921M	
D4004	J2348921M	
D4201	J2348921M	
D4202	J2348921M	
D4203	J2348921M	
D4204	J2348921M	
D4400	J2348921M	
D4401	J2348921M	
D4402	J2348921M	
D4403	J2348921M	
D451	J2348921M	
D452	J2348921M	
D453	J2348921M	
D454	J2348921M	
D4551	J2348921M	
D4552	J2348921M	
D4553	J2348921M	
D4554	J2348921M	
D4555	T431113	
D4556	T431113	
D4600	J2343963M	
D4601	J2343963M	
D4701	T431113	
D4702	T431113	
D4800	J2348921M	
D4801	J2348921M	
D4802	J2348921M	
D501	J2348921M	
D501A	T531056	
D502	J2348921M	
D505	J2348921M	
D506	J2348921M	
D507	J2348921M	
D508	J2348921M	
D509	J2348921M	25"
D509	T531056	29", 16:9
D512	J2343941M	
D515	J2348921M	
D516	J2348921M	
D517	J2348921M	
D518	J2348921M	
D520	T531055	
D521	J2348921M	
D522	J2348921M	
D523	J2348921M	
D524	J2348921M	
D600	J2348921M	
D604	T431113	
D701	T431113	
D701A	T431113	
D702	T431113	
D703	J2343941M	
D706	T431117F	
D707	T431116F	
D712	J2343963M	
D713	T431113	
D714	T431113	
D718	T431113	
D719	T431113	
D721	T431117F	
D722	T431113	
D725	J2348921M	
D809	J2348921M	

CRN	Part No.	Models
D811	J2348921M	
D812	J2348921M	
D815	J2348921M	
D816	T431113	
D820	J2348921M	
D821	J2348921M	
D822	J2348921M	
D851	J2348921M	
D851A	J2348921M	
D852	J2348921M	
D852A	J2348921M	
D853	J2343962M	
D854	J2343962M	
D860	J2348921M	
D861	J2348921M	
D862	J2348921M	
D863	J2348921M	29"
D863	T431113	16:9
D864	J2348921M	29"
D864	T431113	16:9
D865	J2348921M	29"
D865	T431113	16:9
D866	T531053	
D867	T531053	
D868	T531053	
D869	T531053	
D9001	J2342711M	
D9002	J2342711M	
D9003	J2342711M	
D9004	J2342711M	
D9005	T431111	
D9006	T431120	
D9008	T431113	
D9009	J2343963M	
D901	J2333232	
D9010	T531056	
D9011	J2348921M	
D9012	T531055	
D9013	T431113	
D9014	J2343942M	
D9015	J2342711M	
D9016	J2342711M	
D902	J2333232	
D903	J2333232	
D904	J2333232	
D905	J2342711M	16:9
D905	J2348921M	25", 29"
D906	J2343942M	
D907	J2342711M	25", 29"
D907	J2348921M	16:9
D908	J2342711M	25", 29"
D908	T531056	16:9
D909	J2343963M	25", 29"
D909	J2348921M	16:9
D910	T431120	16:9
D910	T531066	25", 29"
D9100	J2349991	
D9101	T431120	
D9102	J2348921M	
D9103	J2348921M	
D911	T431120	16:9
D911	T431123	25", 29"
D9112	T531055	
D915	T531055	16:9
D915	T531056	25", 29"
D917	T431113	
D950	J2349983	
D951	J2349991	
D952	J2349991	
D953	J2348921M	
D954	J2348921M	
D958	J2348921M	
D959	J2348921M	
D960	J2348921M	
D961	J2348921M	
D965	J2343963M	
D966	T531055	
D967	J2348921M	
D968	J2348921M	



PRODUCT SAFETY NOTE: Components marked with a  $\Delta$  have special characteristics important to safety. Before replacing any of these components, read carefully the PRODUCT SAFETY NOTICE of this service manual. Don't degrade the safety of this receiver through improper servicing.

NOTE RELATIVE A LA SECURITE DES PRODUITS: Les composants accompagnés du symbole  $\Delta$  ont des caractéristiques spéciales importantes pour la sécurité. Avant de remplacer ces composants, lire attentivement la NOTICE DE SECURITE DES PRODUITS du présent manuel d'entretien. Ne pas compromettre la sécurité de ce récepteur en ignorant les consignes d'entretien.

HINWEIS ZUR PRODUKTSICHERHEIT: Mit  $\Delta$  gekennzeichnete Teile sind für die Betriebssicherheit von besonderer Bedeutung. Lesen Sie die HINWEISE ZUR PRODUKTSICHERHEIT aufmerksam durch, bevor Sie ein solches Teil auswechseln. Beeinträchtigen Sie die Sicherheit dieses Geräts nicht durch Vornehmen unsachgemäßer Wartungsarbeiten.

CRN	Part No.	Models
D969	T531055	
D971	J2348921M	
D972	J2348921M	
D973	J2348921M	
D976	J2348921M	
D977	J2343963M	
D978	J2348921M	
D980	T531055	
D985	J2348921M	
D986	J2348921M	16:9
D986	T531055	25", 29"
D987	J2348921M	
D988	J2348921M	
D989	J2348921M	
D990	J2348921M	
D991	J2348921M	
D992	J2348921M	
D992A	J2348921M	
DL860	L410171	
DL861	L410171	
DL862	L410171	
DOLBY/SHLD	JME00651	16:9
DOLBY/SHLD	N235030	76's
E001	E883111	
E1	E841051	25", 16:9
E1	E841056	29"
E117	G863046	
E1300	E821919	
E2	H114002	
E2700	E846660	
E2701	E846845	
E2704	E846802	
E3	J2975131	
E301	E826926	
E302	E826926	
E303	J2673821	
E4	H114002	
E4410	J2679382	
E4450	E826146	
E4500	J2983041	
E4501	J2983041	
E4502	J2902263	
E4506	E846870	
E4550	E826147	
E4560	E846871	
E4600	E846834	
E4601	E846835	
E4700	J2902263	
E4701	J2983041	
E4702	J2983041	
E4800	J2902262	
E4801	J2983041	
E503	E846825	
E601	J2661752	
E701	J2661753	
E710	J2674646	
$\Delta$ E801	E822925	29"
$\Delta$ E801	J2698351	25", 16:9
E803	E846806	
E803B	E846806	
E804	E843241	
E804	J2902264	
E805	E846652	
E806	E846837	
$\Delta$ E900	E846662	CL, CP
$\Delta$ E900	E846815	C
E9000	E846646	76's, 77's
E9000	E846859	16:9
E902	J2661751	
E903	E825260	16:9
E903	E825330	76's, 77's
E950	E826927	
E951	E826927	
$\Delta$ F&S LEAD	J2956783	
F1-F13	E821916	
F1-F8	E821917	
F14-F26	E821914	
F901	J2721792	
$\Delta$ F901A	E882376	

CRN	Part No.	Models
FB001	J2123462M	
FB002	J2123462M	
FB003	J2123462M	
FB004	J2123462M	
FB1300	J2123462M	
FB1301	J2123462M	
FB1302	J2123462M	
FB219	J2123462M	
FB4201	J2123461M	
FB4202	J2123461M	
FB4203	J2123461M	
FB4204	J2123461M	
FB4501	J2123462M	
FB4502	J2123462M	
FB4701	J2123462M	
FB4702	J2123462M	
FB4800	J2123462M	
FB5001	J2123461M	
FB601	J2123462M	
FB700	J2123462M	
FB701	J2123461M	
FB702	J2123462M	
FB703	J2123462M	
FB850	J2123461M	
FB851	J2123461M	
FB852	J2123461M	
FB900	J2123462M	
FB9000	J2123461M	
FB9001	J2123461M	
FB9003	J2123461M	
FB901	J2123462M	
FB902	J2123462M	
FB903	J2123462M	
FB904	J2123462M	
FB905	J2123462M	
FB906	J2123462M	
FB907	J2123462M	
FB908	J2123462M	
FB909	J2123462M	
FB9100	J2123461M	
FB9101	J2123461M	
FB9102	J2123462M	
FB950	J2123462M	
FB951	J2123462M	
FB954	J2123462M	
FB955	J2123462M	
FB956	J2123462M	
FB957	J2123462M	
IC001	T900637	
IC002	E730103	EUROPE
IC002	E730104	SCANDINAVIAN
IC002	E730120	16:9
IC003	T900663	
IC004	T900664	
IC005	T900438	
IC006	T900593	
IC007	T900658	
IC101	T900326	
IC1300	T900672	
IC201	T900630	
IC2201	J2004441	
IC2202	T900641	
IC2203	J2009401R	
IC2210	JCP01821U	
IC2700	T900579	
IC2701	T900508	
IC301	T900632	
IC401	T900633	
IC4201	T900596	
IC4300	J2362605	
IC4400	J2020002	
IC4410	J2020021	
IC4500	J2020012	
IC451	T900610	
IC4550	J2020012	
IC4600	JCP00801U	
IC4601	JCP00791U	
IC4603	J2020002	
IC4700	J2020012	

CRN	Part No.	Models
IC4800	T900645	
IC4900	T900692	
IC5000	T900654	
IC5001	T900718	
IC501	T900628	25", 29"
IC501	T900674	16:9
IC502	T900598	C
IC502	T900609	CL, CP
IC503	J2004121	
IC505	T900655	
IC5101	T900628	
IC5102	T900609	
IC5103	T900629	
IC5104	T900512	
IC601	T900642	
IC602	T900667	
IC900	T900452	
IC9000	T900452	
$\Delta$ IC901	J2917782	
$\Delta$ IC902	J2917782	
IC9100	T900473	
IC950	T900345	
IC951	T900606	
IC952	T900345	
IC953	T900646	
IC954	T900473	
IC955	T900695	
IF BOTTOM	H235354	
IF TOP	H235353	
L101	J2122956M	
L102	J2122956M	
L103	J2122253M	
L202	L410169	
L203	J2122244M	
L206	J2122244M	
L207	J2122944M	
L208	J2122244M	
L209	J2123097M	
L210	J2122297M	
L2201	J2774631R	
L2202	J2774631R	
L302	J2122956M	
L4002	J2123097M	
L401	J2122956M	
L402	J2122943M	
L403	J2122943M	
L404	J2122943M	
L405	J2122943M	
L4201	J2122941M	
L4202	J2122239M	
L4203	J2122956M	
L4400	J2122956M	
L4412	J2122956M	
L4450	J2123103M	
L4451	J2123103M	
L450	J2146081	
L451	J2122244M	
L4600	J2122956M	
L4601	J2122956M	
L4602	J2122956M	
L5000	J2123116M	
L5001	J2122956M	
L5003	J2122956M	
L501	J2122244M	
L503	J2122244M	
L5101	J2123781R	
L5102	J2123781R	
L5104	J2123781R	
L5105	J2123781R	
L581	J2122244M	
L582	J2122244M	
L583	J2122244M	
L591	JBH00032R	
L701	JBH00031	16:9
L701	JBH00034	25"
L701	JBH00035	29"
L702	J2161371	16:9, 25", 29"
L702	JBH00038R	16:9 (CRT)
L751	J2220641	

PRODUCT SAFETY NOTE: Components marked with a  $\Delta$  have special characteristics important to safety. Before replacing any of these components, read carefully the PRODUCT SAFETY NOTICE of this service manual. Don't degrade the safety of this receiver through improper servicing.

NOTE RELATIVE A LA SECURITE DES PRODUITS: Les composants accompagnés du symbole  $\Delta$  ont des caractéristiques spéciales importantes pour la sécurité. Avant de remplacer ces composants, lire attentivement la NOTICE DE SECURITE DES PRODUITS du présent manuel d'entretien. Ne pas compromettre la sécurité de ce récepteur en ignorant les consignes d'entretien.

HINWEIS ZUR PRODUKTSICHERHEIT: Mit  $\Delta$  gekennzeichnete Teile sind für die Betriebssicherheit von besonderer Bedeutung. Lesen Sie die HINWEISE ZUR PRODUKTSICHERHEIT aufmerksam durch, bevor Sie ein solches Teil auswechseln. Beeinträchtigen Sie die Sicherheit dieses Geräts nicht durch Vornehmen unsachgemäßer Wartungsarbeiten.

CRN	Part No.	Models
L752	J2220643	25", 29"
L752	L380121	16:9
L870	J2123109M	
L871	J2123109M	
L872	J2123109M	
$\Delta$ L9000	J2124531	
L9001	J2122235M	
$\Delta$ L901	L380105	
$\Delta$ L902	L380105	
L9025	J2123764R	
L903	J2125583	
L904	J2125583	
$\Delta$ L910 (Deg Coil)	J2274361	25"
$\Delta$ L910 (Deg Coil)	J2274362	29", 16:9
L9101	J2122253M	
L950	JBH00036R	
MF201	J2142243	
MF210	E518065	
MF211	E518064	
MF4001	J2142782	CL, CP
MF4001	J2142784	C
MF4002	J2142604	
MF4003	J2142783	
MF4004	E518057	
$\Delta$ OP9000	J2917782	
PL001	J2902264	
PL2700	J2665272	
PL2701	J2902262	
PL2702	J2902264	
PL2703	J2902263	
PL4505	J2902263	
PL4506	J2902262	
PL4600	J2902269	
PL4601	J2902263	
PL4700	E846810	
PL4700	J2902263	16:9 Dolby
PL4800	E846809	
PL501	J2902261	
PL502	J2902261	
PL710	J2674636	
PL810	J2902266	
PL900	E825259	
PL950	E825947	
PL951	E825947	
Q001	J2009401R	
Q002	J2326873R	
Q003	J2315891R	
Q101	J2315891R	
Q1300	J2315891R	
Q201	T633134	
Q202	J2326873R	
Q203	J2315891R	
Q2200	T631276	
Q2700	T631275	
Q2702	J2315891R	
Q2704	T631275	
Q2705	J2315891R	
Q301	J2315891R	
Q302	J2315891R	
Q303	J2315891R	
Q304	J2315891R	
Q306	J2315921R	
Q307	J2315891R	
Q308	J2315921R	
Q4001	J2326873R	
Q4002	J2326873R	
Q4003	J2326873R	
Q4004	T633134	
Q402	J2326873R	
Q403	J2326873R	
Q405	J2315891R	
Q406	J2315891R	
Q407	J2315891R	
Q408	J2315891R	
Q409	J2315891R	
Q410	J2315891R	
Q411	J2315891R	
Q412	J2315891R	
Q4201	J2315891R	

CRN	Part No.	Models
Q4202	J2315891R	
Q4300	J2315891R	
Q4301	J2315891R	
Q4400	J2315891R	
Q4401	J2315891R	
Q4450	J2315891R	
Q4451	J2315891R	
Q4501	J2315891R	
Q4600	J2315891R	
Q4601	J2315891R	
Q4604	J2315891R	
Q4605	J2315891R	
Q4655	J2315891R	
Q4700	J2315891R	
Q4800	J2315891R	
Q4801	J2315891R	
Q5000	J2315891R	
Q5001	J2315891R	
Q5002	J2315891R	
Q5003	J2315921R	
Q501	J2315891R	
Q502	J2315921R	
Q510	J2315921R	
Q5101	J2315891R	
Q5102	J2315921R	
Q5103	J2315891R	
Q5104	J2315921R	
Q5105	J2315891R	
Q5106	J2315891R	
Q5107	J2315891R	
Q5109	J2315891R	
Q511	J2315891R	
Q5110	J2315891R	
Q701	T633142	
Q705	J2315891R	
Q751	J2315451	
Q801	J2312371F	
Q802	J2312371F	
Q803	J2312371F	
Q804	T633143	
Q805	T633143	
Q806	T633143	
Q810	J2327783R	
Q811	J2315891R	
Q812	J2315891R	
Q813	J2315891R	
Q851	J2315891R	
Q852	J2315891R	
Q853	J2315391	
Q854	J2315381	
Q855	J2315891R	
Q856	J2315891R	
Q857	J2315891R	
Q859	J2315921R	
Q860	J2315921R	
Q861	J2315921R	
Q862	J2315891R	
Q863	J2315921R	
Q870	J2315891R	
Q871	J2315891R	
Q872	J2315891R	
Q9001	J2315921R	
Q9002	T636035	
Q9005	T633133	
Q9006	J2315891R	
Q901	T632088	25", 29"
Q901	T636060	16:9
Q902	J2315921R	
Q903	J2314791	
Q904	T631291	
Q905	T633133	
Q906	J2315891R	
Q907	J2315891R	
Q908	J2315891R	
Q9100	J2315891R	
Q9101	J2315891R	
Q950	T636060	
Q951	T631277	
Q952	T631265	

CRN	Part No.	Models
Q953	J2315891R	
Q954	T633133	
Q955	J2315921R	
Q958	T732016	
Q959	T631265	
Q960	T636060	
Q961	J2315891R	
Q962	J2315891R	
R001	J0700054M	
R002	J0700052M	
R003	J0700054M	
R004	J0700052M	
R006	J0113725M	
R007	J0700027M	
R008	J0700049M	
R010	J0700045M	
R011	J0700047M	
R012	R427330	
R013	J0700041M	
R014	J0700054M	
R015	J0700054M	
R016	J0700054M	
R017	R222330	
R019	J0700049M	
R020	J0700049M	
R021	J0700054M	
R024	J0700027M	
R027	J0700027M	
R028	J0700027M	
R029	J0700027M	
R030	J0700027M	
R031	J0700027M	
R032	J0700027M	
R033	J0700027M	
R034	J0700027M	
R035	J0700027M	
R036	J0700027M	
R037	J0700027M	
R038	J0700027M	
R039	J0700027M	
R040	J0700027M	
R041	J0700027M	
R042	J0700027M	
R043	J0700027M	
R044	J0700027M	
R045	J0700027M	
R046	J0700027M	
R047	J0700027M	
R048	J0700027M	
R049	J0700027M	
R050	J0700027M	
R051	J0700027M	
R052	J0700041M	
R053	J0700027M	
R054	J0700027M	
R055	J0700027M	
R056	J0700027M	
R057	J0700027M	
R058	J0700027M	
R059	J0700027M	
R060	J0700027M	
R061	J0700027M	
R062	J0700027M	
R063	J0700027M	
R064	J0700027M	
R065	J0700027M	
R066	J0700027M	
R067	J0700027M	
R068	J0700027M	
R069	J0700027M	
R070	J0700027M	
R071	J0700027M	
R072	J0700027M	
R073	J0700027M	
R1001	R142330	
R101	J0700064M	
R102	J0700052M	
R103	J0700064M	
R104	J0700058M	



PRODUCT SAFETY NOTE: Components marked with a  $\Delta$  have special characteristics important to safety. Before replacing any of these components, read carefully the PRODUCT SAFETY NOTICE of this service manual. Don't degrade the safety of this receiver through improper servicing.

NOTE RELATIVE A LA SECURITE DES PRODUITS: Les composants accompagnés du symbole  $\Delta$  ont des caractéristiques spéciales importantes pour la sécurité. Avant de remplacer ces composants, lire attentivement la NOTICE DE SECURITE DES PRODUITS du présent manuel d'entretien. Ne pas compromettre la sécurité de ce récepteur en ignorant les consignes d'entretien.

HINWEIS ZUR PRODUKTSICHERHEIT: Mit  $\Delta$  gekennzeichnete Teile sind für die Betriebssicherheit von besonderer Bedeutung. Lesen Sie die HINWEISE ZUR PRODUKTSICHERHEIT aufmerksam durch, bevor Sie ein solches Teil auswechseln. Beeinträchtigen Sie die Sicherheit dieses Geräts nicht durch Vornehmen unsachgemäßer Wartungsarbeiten.

CRN	Part No.	Models
R105	J0700058M	
R106	R120330	
R107	R120330	
R108	J0700027M	
R111	J0700058M	
R112	J0700058M	
R113	J0110207S	
R114	J0110207S	
R115	J0700046M	
R130	J0700049M	
R1300	R202330	
R1301	R506330	
R1302	R202330	
R1304	J0700054M	
R1305	J0700041M	
R131	J0700049M	
R150	J0700027M	
R152	J0700027M	
R153	J0700027M	
R154	J0700027M	
R201	J0700021M	
R202	J0700052M	
R203	J0700047M	
R205	R323330	
R206	J0700031M	C
R206	J0700036M	CL, CP
R207	J0700054M	
R208	J0700034M	
R209	R120330	CL, CP
R209	R911736	C
R210	J0700054M	
R211	J0700021M	
R212	R120330	
R213	J0700027M	
R214	J0700014M	
R215	R110330	
R2202	J0700041M	
R2203	J0700037M	
R2204	J0700037M	
R2205	J0700037M	
R2206	J0700037M	
R2207	J0700041M	
R2208	J0700066M	
R2209	J0700067M	
R2210	J0700021M	
R2211	J0700021M	
R2212	J0700021M	
R2213	J0700027M	
R2214	J0700027M	
R2219	J0700027M	
R2220	J0700027M	
R2225	J0700054M	
R2226	J0700051M	
R2232	J0700069M	
R2233	J0700054M	
R2709	J0700054M	
R2710	J0700054M	
R2711	J0700041M	
R2712	J0700028M	
R2713	J0700041M	
R2714	J0700041M	
R2716	J0700041M	
R2717	J0700027M	
R2718	J0700027M	
R2720	J0700054M	
R2721	J0700027M	
R2722	J0700027M	
R301	J0700027M	
R302	J0700027M	
R303	R715330	
R305	J0700027M	
R306	J0700027M	
R307	R715330	
R308	J0700027M	
R309	R715330	
R310	J0700067M	
R311	J0700036M	
R312	J0700067M	
R313	J0700067M	

CRN	Part No.	Models
R314	J0700067M	
R315	R427330	
R316	J0700027M	
R317	J0700067M	
R318	J0700067M	
R321	R715330	
R322	J0700027M	
R323	J0700054M	
R325	J0700054M	
R326	J0700054M	
R327	J0700054M	
R329	J0700036M	25"
R329	J0700041M	29", 16:9
R330	R715330	
R332	R715330	
R334	R715330	
R336	R715330	
R337	R120330	
R338	J0700054M	
R339	R715330	
R340	J0700054M	
R341	R715330	
R342	R120330	
R343	R120330	
R346	J0700036M	
R347	J0113721M	
R348	J0700036M	
R349	J0700036M	
R350	J0700036M	
R351	J0700036M	
R352	J0700036M	25"
R352	J0700043M	29", 16:9
R354	J0700056M	
R355	J0700056M	
R357	R715330	
R361	J0700046M	
R362	J0700027M	
R363	J0113737M	
R364	J0700051M	
R365	J0700047M	
R366	J0187086M	25", 29"
R366	J0700053M	16:9
R367	J0113721M	
R368	J0700034M	25", 29"
R368	J0700041M	16:9
R373	J0700055M	
R374	J0700054M	
R375	J0700029M	
R376	J0700029M	
R377	J0700036M	
R378	R407330	
R379	J0700027M	
R380	J0700027M	
R4001	J0700043M	
R4002	J0700046M	
R4003	J0700046M	
R4004	J0700041M	
R4005	J0700044M	C
R4005	J0700045M	CL
R4006	J0700047M	C
R4006	J0700050M	CL
R4007	J0700036M	
R4008	J0700036M	
R4009	J0700037M	
R401	J0700027M	
R4010	J0700037M	
R4011	J0700037M	
R4012	J0700023M	CL
R4012	J0700027M	C, CP
R4013	J0700052M	
R4014	J0700047M	
R4015	J0700027M	
R4016	R323330	
R4017	J0700037M	
R4018	J0700049M	
R4019	J0700049M	
R4020	J0700045M	
R4021	J0700054M	
R403	J0700027M	

CRN	Part No.	Models
R404	J0700067M	
R406	J0700067M	
R408	J0700027M	
R410	J0700027M	
R411	J0700067M	
R412	J0700058M	
R413	J0700058M	
R415	J0700027M	
R416	J0700067M	
R417	J0700027M	
R420	J0700027M	
R4202	J0700054M	
R4203	R160330	
R4204	R160330	
R4205	J0700054M	
R4206	J0700044M	
R4207	J0700061M	
R4208	J0700041M	
R4209	J0700027M	
R421	J0700067M	
R4210	J0700041M	
R4211	J0700054M	
R4213	R160330	
R4214	J0700058M	
R4216	R120330	
R4217	R120330	
R4218	J0187104M	C
R4218	J0700065M	CL, CP
R4219	J0700054M	
R4220	J0700049M	
R4221	J0700041M	
R4222	J0700049M	
R4223	J0700041M	
R4224	J0187104M	C
R4224	J0700065M	CL, CP
R4225	J0700054M	
R423	J0700027M	
R424	J0700067M	
R425	J0700067M	
R426	J0700036M	
R427	J0700067M	
R428	J0700036M	
R429	J0700067M	
R430	J0700036M	
R4300	J0700063M	
R4301	J0700063M	
R4302	J0700063M	
R4303	J0700049M	
R4304	J0700049M	
R4305	J0700052M	
R4306	J0700046M	
R4307	J0700046M	
R4308	J0700046M	
R431	J0700067M	
R4310	J0700054M	
R4311	J0187068M	
R4312	J0187068M	
R4313	J0187068M	
R4316	J0700067M	
R4317	J0700027M	
R432	J0700036M	
R433	J0700041M	
R434	J0700041M	
R4402	R120330	
R4403	R120330	
R4404	R427330	
R4405	R427330	
R4406	J0700054M	
R4407	J0700054M	
R4410	J0700053M	
R4411	J0700046M	
R4412	J0700053M	
R4413	J0700046M	
R4418	R313330	
R4419	R313330	
R4420	J0700051M	
R4421	J0187084M	
R4422	J0700051M	
R4423	J0187084M	



PRODUCT SAFETY NOTE: Components marked with a  $\Delta$  have special characteristics important to safety. Before replacing any of these components, read carefully the PRODUCT SAFETY NOTICE of this service manual. Don't degrade the safety of this receiver through improper servicing

NOTE RELATIVE A LA SECURITE DES PRODUITS: Les composants accompagnés du symbole  $\Delta$  ont des caractéristiques spéciales importantes pour la sécurité. Avant de remplacer ces composants, lire attentivement la NOTICE DE SECURITE DES PRODUITS du présent manuel d'entretien. Ne pas compromettre la sécurité de ce récepteur en ignorant les consignes d'entretien.

HINWEIS ZUR PRODUKTSICHERHEIT: Mit  $\Delta$  gekennzeichnete Teile sind für die Betriebssicherheit von besonderer Bedeutung. Lesen Sie die HINWEISE ZUR PRODUKTSICHERHEIT aufmerksam durch, bevor Sie ein solches Teil auswechseln. Beeinträchtigen Sie die Sicherheit dieses Geräts nicht durch Vornehmen unsachgemäßer Wartungsarbeiten

CRN	Part No.	Models
R4430	J0700052M	
R4434	J0700052M	
R4438	J0700052M	
R4442	J0700052M	
R4444	J0700028M	
R4445	J0700028M	
R4450	J0700041M	
R4451	J0700041M	
R4452	J0700027M	
R4453	R130330	
R4454	J0700027M	
R4455	R130330	
R4500	R135330	
R4501	R417330	
R4502	R132330	
R4503	R417330	
R4504	R132330	
$\Delta$ R4505	R407551	
$\Delta$ R4506	R407551	
R4507	J0700054M	
R4508	J0700054M	
R4509	J0700054M	
R4550	R130330	
R4551	R417330	
R4552	R330330	
R4553	R417330	
R4554	R135330	
$\Delta$ R4555	R407551	
$\Delta$ R4556	R407551	
R4557	J0147630	25", 29"
R4557	J0147828Y	16:9
R4557A	R100549	
R4557B	R100549	
R460	J0700061M	
R4602	R120330	
R4603	R120330	
R4604	R120330	
R4605	R120330	
R4606	R120330	
R4607	R120330	
R4608	R120330	
R4609	R120330	
R4611	J0700062M	
R4612	J0187096M	
R4613	J0700059M	
R4614	J0700053M	
R4615	J0700027M	
R4616	J0700027M	
R4618	J0700081M	
R462	J0700027M	
R4620	J0700054M	
R4621	J0700041M	
R4622	J0700027M	
R4624	J0700054M	
R4625	J0700041M	
R4626	J0700027M	
R463	J0700027M	
R4640	J0700027M	
R4643	J0700027M	
R4648	J0700045M	
R4649	J0700045M	
R4650	J0700027M	
R4651	J0700054M	
R4652	J0700041M	
R4654	J0700041M	
R4655	J0700054M	
R467	R120330	
R468	R120330	
R4680	J0700049M	
R4681	J0700052M	
R4682	J0700052M	
R4683	J0700049M	
R470	J0700061M	
R4701	R417330	
R4702	J0700052M	76's
R4702	R135330	16:9
R4703	R417330	
R4704	R132330	
R4705	R132330	

CRN	Part No.	Models
$\Delta$ R4706	R407551	
$\Delta$ R4707	R407551	
R4708	J0700054M	16:9
R4708	R140330	76's
R4709	R140330	
R471	J0700061M	
R4710	R140330	
R4711	J0700051M	
R4712	J0187084M	
R4713	J0700051M	
R4714	J0187084M	
R472	J0700027M	
R473	J0700041M	
R474	J0700061M	
R475	J0700061M	
R476	J0700027M	
R477	J0700041M	
R478	J0700061M	
R479	J0700061M	
R480	J0700027M	
R4800	J0700054M	
R4801	R242330	
R4802	R240330	
R4803	J0700054M	
R4804	J0700055M	
R4806	R142330	
R4807	R628330	
R4808	J0700041M	
R4809	J0700065M	
R481	J0700041M	
R4810	R437330	
$\Delta$ R4811	R407551	
R4812	R140330	
R4813	J0700051M	
R4814	J0700055M	
R4815	J0700054M	
R4819	J0700057M	
R482	J0700061M	
R483	J0700061M	
R484	J0700027M	
R485	J0700041M	
R486	J0700064M	
R487	J0700064M	
R488	J0700027M	
R489	J0700041M	
R490	J0700064M	
R4901	J0187086M	
R4902	J0700056M	
R4903	J0187086M	
R4904	J0700056M	
R4905	R120330	
R4906	R120330	
R4907	J0700046M	
R4908	J0700046M	
R4909	J0700051M	
R491	J0700064M	
R4910	J0700051M	
R492	J0700027M	
R493	J0700041M	
R5000	J0700041M	
R5001	J0700054M	
R5002	J0700054M	
R5003	J0700054M	
R5004	J0187080M	
R5005	J0187054M	
R5006	J0700056M	
R5007	J0700067M	
R5008	J0700035M	
R5009	J0700037M	
R501	J0187110M	
R5010	R427330	
R5011	J0700027M	
R5012	J0700037M	
R504	J0700054M	
R505	R407330	
R506	J0700036M	
R507	R125330	
R508	R125330	
R509	J0700047M	

CRN	Part No.	Models
R5101	J0700034M	
R5102	J0700046M	
R5103	J0700044M	
R5105	J0700049M	
R5107	J0700027M	
R5108	J0700027M	
R5109	J0700027M	
R511	J0700062M	
R5110	J0700027M	
R5111	J0700027M	
R5112	J0700027M	
R5113	J0700037M	
R5114	J0700054M	
R5115	J0700042M	
R5116	J0700046M	
R5117	J0700027M	
R5118	J0700054M	
R5119	J0700049M	
R511A	J0700042M	
R512	J0700027M	
R5120	J0700049M	
R5121	J0700049M	
R5122	J0700027M	
R5123	J0700062M	
R5124	J0700058M	
R5125	J0700058M	
R5126	J0700054M	
R5127	J0700056M	
R5128	J0700041M	
R5129	J0700027M	
R513	J0700027M	
R5131	J0700027M	
R5132	J0187110M	
R5133	J0700037M	
R5134	J0700037M	
R5135	J0700037M	
R5136	J0700052M	
R5137	J0700034M	
R5138	J0700027M	
R5139	J0700027M	
R514	J0700081M	
R5142	J0700037M	
R5143	J0700054M	
R5144	J0700052M	
R5145	J0700051M	
R5146	J0700049M	
R5147	J0700051M	
R5148	J0700054M	
R5149	J0700027M	
R515	R262716	
R5150	J0700064M	
R5152	J0700027M	
R5157	J0700027M	
R5159	J0700036M	
R516	R262716	
R5160	J0700036M	
R5161	J0700027M	
R5163	J0700036M	
R5164	J0700036M	
R5165	J0700027M	
R5167	J0700027M	
R5168	J0700027M	
R5169	J0700027M	
R5170	J0700027M	
R5171	J0700027M	
R5172	J0700027M	
R5173	J0700027M	
R5174	J0700038M	
R5175	J0700039M	
R5176	J0700038M	
R5177	J0700039M	
R5178	J0700038M	
R5179	J0700039M	
R5183	J0700023M	
R5185	J0700063M	
R5186	J0700027M	
R5187	J0700046M	
R5188	J0700052M	
R5189	J0700033M	



PRODUCT SAFETY NOTE: Components marked with a  $\Delta$  have special characteristics important to safety. Before replacing any of these components, read carefully the PRODUCT SAFETY NOTICE of this service manual. Don't degrade the safety of this receiver through improper servicing.

NOTE RELATIVE A LA SECURITE DES PRODUITS: Les composants accompagnés du symbole  $\Delta$  ont des caractéristiques spéciales importantes pour la sécurité. Avant de remplacer ces composants, lire attentivement la NOTICE DE SECURITE DES PRODUITS du présent manuel d'entretien. Ne pas compromettre la sécurité de ce récepteur en ignorant les consignes d'entretien.

HINWEIS ZUR PRODUKTSICHERHEIT: Mit  $\Delta$  gekennzeichnete Teile sind für die Betriebssicherheit von besonderer Bedeutung. Lesen Sie die HINWEISE ZUR PRODUKTSICHERHEIT aufmerksam durch, bevor Sie ein solches Teil auswechseln. Beeinträchtigen Sie die Sicherheit dieses Geräts nicht durch Vornehmen unsachgemäßer Wartungsarbeiten.

CRN	Part No.	Models
R5191	J0700027M	
R5192	J0700041M	
R5193	J0700028M	
R5194	J0700031M	
R5196	J0187038M	
R5197	J0700041M	
R5198	J0700036M	
R5199	J0700049M	
R523	J0113733M	
R524	R115330	
R525	J0700027M	
R526	J0700027M	
R541	J0700027M	
R542	J0700027M	
R543	J0700027M	16:9
R543	J0700041M	29"
R543	R120330	25"
R544	J0700027M	16:9
R544	J0700041M	29"
R544	R120330	25"
R545	J0700027M	16:9
R545	J0700041M	29"
R545	R120330	25"
R546	J0700027M	
R548	J0700066M	
R549	J0700079M	
R551	J0700074M	
R552	J0700041M	
R553	J0700067M	
R554	J0700027M	
R555	J0700027M	
R561	J0700073M	
R563	R359330	25"
R563	R359330	29"
R564	J0700044M	
R569	J0187084M	16:9
R569	J0700051M	25", 29"
R571	J0700027M	
R573	J0700032M	
R574	J0700027M	
R575	J0700027M	
R576	J0700041M	
R581	J0700027M	
R582	J0700027M	
R591	J0700027M	
R592	J0700027M	
R593	J0700045M	
R594	J0700045M	
R595	J0700045M	
R600	R437330	
R601	J0700046M	
R602	J0113684M	
R603	R105330	
R608	R140330	
R610	R140330	
R611	R232330	
R612	R648330	16:9
R612	R842330	25", 29"
R613	R140330	
R614	R227542	
R618	R313549	25", 29"
R618	R417549	16:9
R619	R118847	
R623	J0113725M	
R701	J0140931S	
R707	R120330	
R709	R319330	
R713	R735330	
R714	J0113748M	
R715	J0113770M	25"
R715	J0113778M	29", 16:9
R718	J0119655M	16:9
R718	R254736	25", 29"
R719	J0119647M	29", 16:9
R719	J0119649M	25"
R721	J0113791M	
R722	J0113791M	29", 16:9
R722	J0113795M	25"
R725	R145542	

CRN	Part No.	Models
R726	R145542	
R730	R000618	
R731	J0113737M	
R733	R222330	
R734	J0700034M	
R735	J0147622	
R744	J0113744M	
R745	J0110261M	
R749	J0119631M	25"
R749	J0119655M	16:9
R749	R437736	29"
R751	J0147622	25", 29"
R751	J0147630	16:9
R752	R158330	25", 29"
R752	R457330	16:9
R753	J0110209M	
R754	R536330	
R757	R148330	
R764	R150330	
R765	R437330	
R766	R000618	
R767	J0700035M	
R768	J0113789M	
R804	J0140327S	
R805	J0140327S	
R806	J0140327S	
R807	J0113744M	
R808	J0113744M	
R809	J0113744M	
R811	J0700041M	
R812	J0700041M	
R813	J0700041M	
R817	J0700024M	
R818	J0700024M	
R819	J0700024M	
R821	R126330	25"
R821	R222330	29", 16:9
R822	R126330	25"
R822	R222330	29", 16:9
R823	R126330	25"
R823	R222330	29", 16:9
R829	R222732	
R830	R138330	
R835	R333330	
R836	R333330	
R839	R135330	
R840	R110330	
R841	R110330	
R853	R237330	
R856	J0700033M	
R857	R230330	
R858	R227330	
R859	R120330	
R860	R148330	
R861	R128330	
R863	R130733	
R864	R150330	
R865	R150330	
R866	R130733	
R867	R232330	
R868	R140330	
R869	R222549	
R870	J0113746M	
R874	J0700041M	29"
R874	R526330	16:9
R875	J0700031M	
R876	J0700036M	
R877	J0700039M	
R879	J0700041M	29"
R879	R526330	16:9
R880	J0700039M	
R881	J0700031M	
R882	J0700036M	
R884	J0700041M	29"
R884	R526330	16:9
R885	J0700031M	
R886	J0700036M	
R887	J0700039M	
R889	J0700032M	

CRN	Part No.	Models
R890	J0700037M	29"
R890	J0700041M	16:9
R891	J0700041M	
R892	J0700041M	16:9
R892	J0700044M	29"
R893	J0187064M	29"
R893	R526330	16:9
R894	J0700037M	29"
R894	R526330	16:9
R895	J0700037M	29"
R895	R526330	16:9
R896	R126330	25"
R896	R618330	29"
R897	R126330	25"
R897	R618330	29"
R898	R126330	25"
R898	R618330	29"
R899	R130330	
R900	J0700034M	16:9
R900	R323730	25", 29"
R9000	R343549	
R9001	R207330	
R9002	R536736	
R9003	R242542	
R9005	R000618	
R9006	R427549	
R9008	J0700037M	
R901	R148569	16:9
R901	R842731	25", 29"
R9010	J0700067M	
R9011	R145330	
R9013	J0119619M	
R9014	J0700056M	
R9015	R142330	
R9016	J0700067M	
R9017	R546330	
R9018	J0113742M	
$\Delta$ R9019	R353714	76's, 77's
$\Delta$ R9019	R658714	16:9
R902	R536736	16:9
R902	R638330	29"
R9021	J0119636M	
R9022	R353330	
R9023	J0700058M	
R9024	R343549	
R9025	J0110113S	
R9026	R427330	
R9027	J0700068M	
R9028	R658330	
R903	J0110129M	25", 29"
R903	R212549	16:9
R904	R217856	25", 29"
R904	R427549	16:9
R905	J0700067M	16:9
R905	R339330	25", 29"
R906	J0119619M	16:9
R906	R632330	25", 29"
R907	J0700067M	16:9
R907	R536330	25", 29"
R908	R130330	25", 29"
R908	R148736	16:9
R909	J0700058M	16:9
R909	R120330	25", 29"
R910	R000618	16:9
R910	R207549	25", 29"
$\Delta$ R9100	R812551	
R9101	R336730	
R9103	J0119644M	76's, 77's
R9103	J0119645M	16:9
R9104	J0119636M	
R9105	J0700067M	
R9106	R526330	
R9107	J0700076M	
R9108	J0119599M	
R9109	J0700041M	
R911	R125330	25", 29"
R911	R142330	16:9
R9110	J0700048M	
R9111	R336730	

PRODUCT SAFETY NOTE: Components marked with a  $\Delta$  have special characteristics important to safety. Before replacing any of these components, read carefully the PRODUCT SAFETY NOTICE of this service manual. Don't degrade the safety of this receiver through improper servicing.

NOTE RELATIVE A LA SECURITE DES PRODUITS: Les composants accompagnés du symbole  $\Delta$  ont des caractéristiques spéciales importantes pour la sécurité. Avant de remplacer ces composants, lire attentivement la NOTICE DE SECURITE DES PRODUITS du présent manuel d'entretien. Ne pas compromettre la sécurité de ce récepteur en ignorant les consignes d'entretien.

HINWEIS ZUR PRODUKTSICHERHEIT: Mit  $\Delta$  gekennzeichnete Teile sind für die Betriebssicherheit von besonderer Bedeutung. Lesen Sie die HINWEISE ZUR PRODUKTSICHERHEIT aufmerksam durch, bevor Sie ein solches Teil auswechseln. Beeinträchtigen Sie die Sicherheit dieses Geräts nicht durch Vornehmen unsachgemäßer Wartungsarbeiten.

CRN	Part No.	Models	CRN	Part No.	Models	CRN	Part No.	Models
R9112	J0700054M		R969A	J0700073M		W001	EC5S080S	
R912	R222330	25", 29"	R970	J0700045M		W002	EC550405	
R912	R319330	16:9	R970A	J0700045M		W2	EC521502	
R913	R546542		R971	J0700046M		W201	EC530903	
R914	J0700057M	25", 29"	R972	J0700041M		W202	EC530703	
R914	R130330	16:9	R973	J0700046M		W206	EC530203	
R915	J0700041M		R974	R407549		W301	EC550405	
R916	R142330	25", 29"	R975	J0700041M		W4000	EC55070S	
R916	R546361	16:9	R976	J0700058M		W4001	EC550405	
R917	R145736	16:9	R977	R252330		W4400	EC532053	
$\Delta$ R917	R353714	25", 29"	R978	J0700067M		W4401	EC551602	
R918	J0700054M	16:9	R979	J0113733M		W4402	EC530303	
R918	J0700072M	25", 29"	R980	J0700081M		W4504	EC551105	
R919	J0700042M		R981	J0700072M		W451	EC550602	
R920	R333330		R982	J0700046M	25", 29"	W4550	E846819	
R922	R120330		R982	R437361	16:9	W4601	EC530303	16:9
R923	R102549	29", 16:9	R983	R130330		W4601	EC551402	75's
R923	R407549	25"	R984	J0113791M	25", 29"	W4700	EC530753	
R924	R135330		R984	R140361	16:9	W4800	EC551605	
R925	J0700056M		R984A	J0113791M		W501	EC5S050S	
$\Delta$ R926	R162714	16:9	R985	J0700081M		W502	EC530603	25", 29"
R926	R427549	25", 29"	R986	R135330	25", 29"	W502	EC5S050S	16:9
R927	R207549	77's	R986	R140361	16:9	W504	EC530303	
R927	R309549	16:9, 25", 29"	R986A	R135330		W505	EC530503	
R928	R447542		R987	R130731	25", 29"	W570	EC5S060S	
R929	J0700072M		R987	R546361	16:9	W764	EC550505	
R930	J0700068M		R987A	J0113750M		W900	EC550905	
R931	J0700046M	16:9	R988	J0700081M		WSP	E824805	
R931	J0700054M	25", 29"	R989	R141361		X001	J2940661	
R931A	J0700067M		R990	J0700054M		X2201	J2168671	
R932	R941361		R991	J0700067M		X4201	E516050F	
R933	J0700049M	16:9	R992	R427549		X451	E516051F	
R933	R546361	25", 29"	R993	J0700054M		X4600	E516034F	
R934	R141361	25", 29"	R994	J0700054M		X5000	E516048	
R934	R212549	16:9	R995	J0113709M	25", 29"	X5001	E516031	
R935	J0700046M	16:9	R995	R212731	16:9	X501	E516048F	
R935	R140361	25", 29"	R996	R212731		X502	J2791502	
R936	J0700081M	25", 29"	R997	J0700054M		X5101	E516048F	
R936	R222330	16:9	R998	R142330		X5103	E516054F	
R937	R437361		$\Delta$ R999	R170727		ZD001	T536185	
R938	J0700054M	16:9	$\Delta$ RL2700	J2640572		ZD002	T536184	
R938	R437361	25", 29"	$\Delta$ RL2701	J2640572		ZD004	T536185	
R939	R140361		$\Delta$ RL900	J2640572		ZD005	T536185	
R940	R142361		$\Delta$ RL950	J2640572		ZD010	T536185	
R941	J0147513		S1	E511126		ZD011	T536185	
$\Delta$ R942	R812551		SG801	J2340037		ZD012	T536185	
R943	J0119638M		SP1	E511122	16:9	ZD101	T536173	
R943A	J0700069M		SP2	E511122	16:9	ZD102	T536215	
R944	R437361		SP3	E511122	16:9	ZD103	T536229	
R945	J0700072M		SP4	E511122	16:9	ZD2700	T536178	
R946	J0700081M		SP401	E511122	25", 29"	ZD2703	T536176	
R947	R437361		SP402	E511122	25", 29"	ZD2704	T536176	
R948	J0700049M		SP405	E511124	25" & C29"	ZD301	T536177	
R949	R132730		SP405	E511131	16:9, CL, CP, 29"	ZD4201	T536179	
R950	J0113795M		SW001	E139408		ZD4202	T536179	
R950A	J0700058M		SW4800	E132206		ZD4203	T536179	
R951	J0113776M	25", 29"	$\Delta$ SW901	J2633391		ZD4400	T536184	
R951	R142546	16:9	$\Delta$ T701	J2436626	29"	ZD4401	T536184	
R952	J0113797M	25", 29"	$\Delta$ T701	J2436771	25"	ZD4402	T536176	
R952	R832330	16:9	$\Delta$ T701	J2436771	16:9	ZD4403	T536176	
R953	J0700046M		T702	J2260291U		ZD4404	T536176	
R954	J0700034M	16:9	$\Delta$ T9000	L380104		ZD4410	T536177	
R954	R130330	25", 29"	$\Delta$ T901	L380103		ZD4450	T536177	
R955	J0700054M		TH901	E441044		ZD4500	T536215	
R956	J0113758M		U001	J2574741		ZD4501	T536177	
R957	R132330		U101	E710043	C	ZD4502	T536177	
R958	J0144009		U101	E710044	CL, CP	ZD4503	T536215	
R959	J0700046M		U8001	X100061	77's	ZD4504	T536215	
R960	J0700046M		U8001	X100062	16:9, 25", 29"	ZD451	T536177	
R961	J0700046M		$\Delta$ V1	T159012	25"	ZD4550	T536177	
R962	R130330		$\Delta$ V1	T166018	16:9	ZD4551	T536177	
R963	J0700043M		$\Delta$ V1	T180002	29"	ZD4552	T536215	
R964	J0113744M		VD4201	T532017		ZD4553	T536215	
R965	R130330		VR201	E311081		ZD4554	T536215	
R966	J0700055M		VR202	E311081		ZD4555	T536246	16:9
R967	R132736		VR923	E311071		ZD4555	T536258	25", 29"
R968	R536736		VR950	J0160211R		ZD4600	T536176	
R969	J0187098M	25", 29"	VR969	J0160216R		ZD4601	T536176	
R969	J0700064M	16:9						





PRODUCT SAFETY NOTE: Components marked with a  $\Delta$  have special characteristics important to safety. Before replacing any of these components, read carefully the PRODUCT SAFETY NOTICE of this service manual. Don't degrade the safety of this receiver through improper servicing.

NOTE RELATIVE A LA SECURITE DES PRODUITS: Les composants accompagnés du symbole  $\Delta$  ont des caractéristiques spéciales importantes pour la sécurité. Avant de remplacer ces composants, lire attentivement la NOTICE DE SECURITE DES PRODUITS du présent manuel d'entretien. Ne pas compromettre la sécurité de ce récepteur en ignorant les consignes d'entretien.

HINWEIS ZUR PRODUKTSICHERHEIT: Mit  $\Delta$  gekennzeichnete Teile sind für die Betriebssicherheit von besonderer Bedeutung. Lesen Sie die HINWEISE ZUR PRODUKTSICHERHEIT aufmerksam durch, bevor Sie ein solches Teil auswechseln. Beeinträchtigen Sie die Sicherheit dieses Geräts nicht durch Vornehmen unsachgemäßer Wartungsarbeiten.

CRN	Part No.	Models
ZD4602	T536176	
ZD4603	T536176	
ZD4605	T536176	
ZD4606	T536176	
ZD4607	T536185	
ZD4608	T536185	
ZD4609	T536185	
ZD4610	T536177	
ZD4611	T536176	
ZD4612	T536176	
ZD4613	T536177	
ZD4614	T536177	
ZD4620	T536184	
ZD4621	T536184	
ZD4700	T536215	
ZD4701	T536215	
ZD4702	T536215	
ZD4703	T536215	
ZD4900	T536176	
ZD5001	T536185	
ZD501	T536179	
ZD502	T536179	
ZD503	T536179	
ZD504	T536186	
ZD506	T536186	
ZD507	T536185	
ZD508	T536179	
ZD509	T536186	
ZD5101	T536181	
ZD5102	T536181	
ZD5103	T536181	
ZD5104	T536217	
ZD5105	T536223	
ZD5106	T536181	
ZD5107	T536181	
ZD5108	T536181	
ZD5109	T536181	
ZD5110	T536181	
ZD512	T536184	
ZD513	T536184	
ZD514	T536184	
ZD517	T536185	
ZD518	T536185	
ZD601	T536246	
ZD602	T536201	
ZD603	T536259	
ZD604	T536190	
ZD605	T536184	
ZD606	T536184	
ZD608	T536215	
ZD609	T536246	
ZD611	T536184	25", 29"
ZD611	T536190	16:9
ZD612	T536184	
ZD704	T536173	
ZD705	T536215	
ZD717	J2339251M	
ZD801	T536225	
ZD802	T536225	
ZD803	T536225	
ZD804	T536184	
ZD9000	T536246	
ZD9005	T536264	
ZD901	T536187	
ZD902	T536180	25", 29"
ZD902	T536246	16:9
ZD903	T536190	25", 29"
ZD903	T536266	16:9
ZD904	T536175	25", 29"
ZD904	T536192	16:9
ZD905	T536175	
ZD910	T536264	
ZD9101	T536186	
ZD9102	T536180	
ZD950	T536207	
ZD951	J2344122M	
ZD952	T536200	
ZD954	T536225	
ZD957	T536236	

CRN	Part No.	Models
ZD958	T536235	
ZD959	T536186	
ZD960	T536171	
ZD961	T536187	
ZD962	T536187	
ZD964	T536236	
ZD965	T536210	

CRN	Part No.	Models
-----	----------	--------



# HITACHI

HITACHI LTD. TOKYO JAPAN  
International Sales Division,  
THE HITACHI ATAGO BLDG.  
No. 15 -12 Nishi-Shinbashi, 2 - Chome,  
Minato-Ku, Tokyo 105, Japan  
Tel. Tokyo 3 32581111

**HITACHI SALES EUROPA GmbH**  
Am Seestern 18,  
40547 Düsseldorf,  
Germany  
Tel. 0211 5291 50

**HITACHI SALES (HELLAS) S.A.**  
91, Falirou Street, 117-41 Athens,  
Greece  
Tel. 92 42-620-4

**HITACHI HOME ELECTRONICS (EUROPE) Ltd.**  
Hitachi House, Station Road, Hayes,  
Middlesex UB3 4DR,  
England  
Tel. 0181 849 2000

**HITACHI SALES IBERICA, S.A.**  
Gran Via Carlos Tercero.101,1 -1  
Barcelona 08028  
Tel. 3- 330.86.52

**HITACHI FRANCE (RADIO-T.V.-ELECTRO-MENAGER) S.A.**  
4, allée des Sorbiers,  
Parc d'active de Chêne,  
69671 BRON Cedex,  
France  
Tel. 72 14-29-70

**HITACHI HOME ELECTRONICS NORDIC**  
Domnarvsgatan 29 Lunda, Box 62  
S-163 91 Spanga,  
Sweden  
Tel. 08 621 8250

**Scan & PDF-Design: Schaltungsdienst  
Lange oHG  
Verlag technische Druckschriften**

**Zehrendorfer Straße 11  
D-12277 Berlin**

**<http://www.schaltungsdienst.com>**